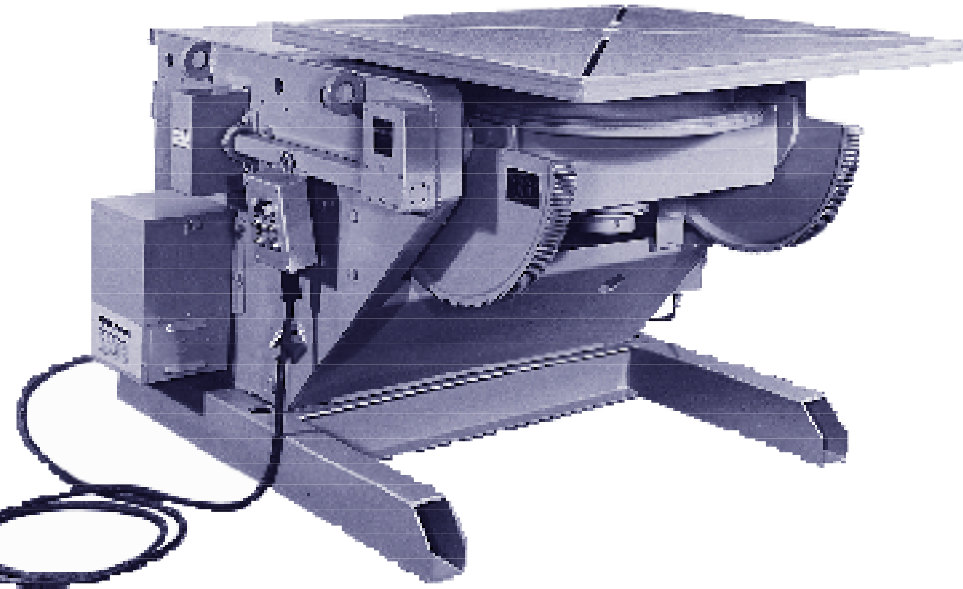


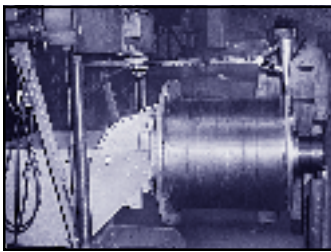
HD Series

Gear Driven Positioners

HD25, HD30, HD45, HD60, HD100

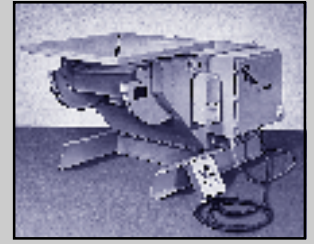


**Load capacities from
2,500 to 10,000 pounds**



The HD25-100 series positioners provide a mid-range lineup that can run around the clock. These machines are engineered to provide rugged performance, yet they can easily be transported throughout your facility.

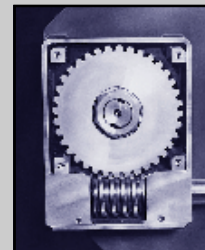
Models larger than the HD 25 utilize double tilt gears which stabilize loads and prevent chassis warpage. The entire series features upright motors safely mounted within the chassis and straddle supported tilt-pinions to prevent misalignment of rotational gearing. This group of gear driven positioners are designed by Koike Aronson to offer the most in both performance and safety.



HD30 Model shows double tilt gears that balance load while providing safety and long-life.

Features

- 135° powered forward tilt
- NEMA 12 electricals
- Pin-through post manual height adjustment
- 90,000 psi aluminum-bronze wormgear drive is self locking to prevent accidental load start-up
- All steel gear cases minimize total backlash
- Low voltage control pendant is tightly sealed from dust or debris in environment
- 30:1 or 60:1 SCR solid state DC drives
- AC brakemotors



Wormgear Drives are self-locking and minimize total backlash regardless of motor location.



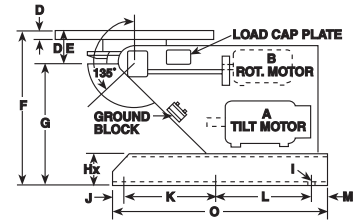
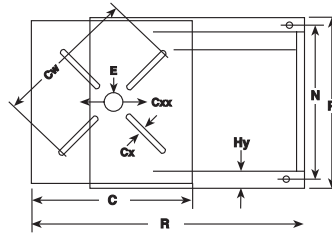
Control Pendants allow remote operation of 30:1 or 60:1 SCR Solid State DC drives and AC brakemotors.



KOIKE ARONSON, INC.

P.O. Box 307, Arcade, New York 14009
Phone (585) 492-2400 FAX (585) 457-3517

Specifications



SPECIFICATIONS	HD25	HD30	HD45	HD60	HD100
Tilt: Load Torque, lb/in (kg/m)	31,875 (368)	56,250 (649)	84,375 (974)	123,000 (1420)	205,000 (2367)
Rating lbs (kg) @ 4" (101.6mm) CG Height	3,000 (1361)	4,400 (1996)	5,000 (2268)	-	-
Rating lbs (kg) @ 6" (152.4mm) CG Height	2,500 (1134)	4,400 (1996)	5,000 (2268)	-	-
Rating lbs (kg) @ 12" (304.8mm) CG Height	1,700 (771)	3,000 (1361)	4,500 (2041)	6,000 (2721)	10,000 (4536)
Rating lbs (kg) @ 18" (457.2mm) CG Height	1,285 (583)	2,270 (1030)	3,400 (1542)	4,650 (2109)	7,700 (3493)
Rating lbs (kg) @ 24" (609.6mm) CG Height	1,035 (469)	1,830 (830)	2,750 (1247)	3,790 (1719)	6,300 (2858)
Rating lbs (kg) @ 30" (762mm) CG Height	875 (397)	1,530 (694)	2,300 (1043)	3,200 (1451)	5,300 (2404)
Rating lbs (kg) @ 36" (914.4mm) CG Height	750 (340)	1,300 (590)	1,975 (896)	2,750 (1247)	4,600 (2086)
Rating lbs (kg) @ 42" (1066.8mm) CG Height	650 (295)	1,100 (499)	1,720 (780)	2,400 (1089)	4,000 (1814)
Rating lbs (kg) @ 48" (1219.2mm) CG Height	580 (263)	1,000 (453)	1,530 (694)	2,200 (998)	3,600 (1633)
Rating lbs (kg) @ 54" (1371.6mm) CG Height	520 (236)	900 (408)	1,380 (626)	1,900 (862)	3,200 (1451)
Rating lbs (kg) @ 60" (1524mm) CG Height	470 (213)	830 (376)	1,250 (567)	1,700 (771)	3,000 (1361)
Rating lbs (kg) @ 66" (1676.4mm) CG Height	430 (195)	760 (345)	1,150 (522)	1,600 (726)	2,700 (1225)
Rating lbs (kg) @ 72" (1828.8mm) CG Height	400 (181)	700 (317)	1,100 (499)	1,500 (680)	2,500 (1134)
Rotation: Load Torque, lb/in (kg/m)	15,000 (173)	36,000 (416)	54,000 (623)	72,000 (831)	120,000 (1385)
Rating lbs (kg) @ 4" (101.6mm) Eccentricity	3,000 (1361)	4,400 (1996)	5,000 (2268)	-	-
Rating lbs (kg) @ 6" (152.4mm) Eccentricity	2,500 (1134)	4,400 (1996)	5,000 (2268)	-	-
Rating lbs (kg) @ 12" (304.8mm) Eccentricity	1,250 (567)	3,000 (1361)	4,500 (2041)	6,000 (2721)	10,000 (4536)
Tilt: 135° in how many seconds	23 sec.	20 sec.	20 sec.	24 sec.	24 sec.
A: Brake-motor horsepower	3/4 HP	2 HP	3 HP	3 HP	3 HP
Adjustable limit switch triggers	yes	yes	yes	yes	yes
Rotation: Mod A Range rpm 30:1 variable*	2.0 - .07	1.2 - .04	1.2 - .04	1.5 - .05	1.0 - .04
Mod B Range rpm 60:1 variable*	2.0 - .03	1.2 - .02	1.2 - .02	1.5 - .025	1.0 - .02
B: HP SCR DC, Dyn braking	3/4 HP	1 HP	1 1/2 HP	3 HP	3 HP
Mod CS Constant speed	2.2 rpm	2.0 rpm	2.0 rpm	1.5 rpm	1.5 rpm
B: HP CS Brake-motor	1 HP	2 HP	3 HP	3 HP	5 HP
Dust-tight NEMA 12 electricals	yes	yes	yes	yes	yes
Safety disconnect switch, overload protected	yes	yes	yes	yes	yes
Magnetic rev. starter, overload protected	yes	yes	yes	yes	yes
115v remote pendant with cable length of:	12 ft (3.6m)	12 ft (3.6m)	12 ft (3.6m)	15 ft (4.5m)	20 ft (6m)
C: Table size:	30" x 30" (762 x 762mm)	36" x 36" (914 x 914mm)	36" x 36" (914 x 914mm)	48" x 48" (1219 x 1219mm)	48" x 48" (1219 x 1219mm)
Cw: Max. clamping diameter	38 1/2" (978mm)	47" (1194mm)	47" (1194mm)	65" (1651mm)	65" (1651mm)
Cx: Number of slots and width	(4) 13/16" (20.6mm)	(4) 13/16" (20.6mm)	(4) 13/16" (20.6mm)	(4) 13/16" (20.6mm)	(4) 13/16" (20.6mm)
Number of slots nuts & thread incl.	(4) 3/4" - 10	(4) 3/4" - 10	(4) 3/4" - 10	(4) 3/4" - 10	(4) 3/4" - 10
D: Table thickness	1 3/4" (44.4mm)	1 3/4" (44.4mm)	1 3/4" (44.4mm)	2" (50.8mm)	2" (50.8mm)
E: Pilot hole diameter and depth	3.130" x 1/2" (79.5 x 12.7mm)	3.130" x 1/2" (79.5 x 12.7mm)	3.130" x 1/2" (79.5 x 12.7mm)	3.130" x 1/2" (79.5 x 12.7mm)	3.130" x 1/2" (79.5 x 12.7mm)
DE: Inherent overhang	6 3/4" (171.4mm)	6 3/4" (171.4mm)	6 3/4" (171.4mm)	8 1/2" (215.9mm)	8 1/2" (215.9mm)
Spindle OD/Taper roller brg. bore	2 1/2" (63.5mm)	2 1/2" (63.5mm)	3" (76.2mm)	3" (76.2mm)	4" (101.6mm)
Cxx: Hollow spindle ID	Solid	Solid	Solid	Solid	Solid
Guaranteed weld current conduction	1500 amps	1500 amps	2000 amps	2000 amps	2000 amps
F: Table flat, Minimum height	34 1/4" (870mm)	34 1/2" (876.3mm)	34 1/2" (876.3mm)	44 1/2" (1130.3mm)	44 1/2" (1130.3mm)
Table flat, Maximum height	56 1/2" (1435mm)	54 1/2" (1384.3mm)	54 1/2" (1384.3mm)	68 1/2" (1740mm)	74 1/2" (1892.3mm)
Adjustable height increments	5 1/2" (139.7mm)	5" (127mm)	5" (127mm)	6" (152.4mm)	6" (152.4mm)
G: Horiz. Axis, Minimum height	27 3/4" (704.8mm)	27 3/4" (704.8mm)	27 3/4" (704.8mm)	36" (914.4mm)	36" (914.4mm)
Horiz. Axis, Maximum height	49 3/4" (1263.6mm)	47 3/4" (1212.8mm)	47 3/4" (1212.8mm)	60" (1524mm)	60" (1524mm)
Matches Tailstock model (min. hgt.)	TS2	TS2	TS4	TS6	TS10
Hx x Hy: Base leg depth and width	4" x 1 1/2" (101.6 x 38.1mm)	6" x 2" (152.4 x 50.8mm)	6" x 2" (152.4 x 50.8mm)	6" x 2" (152.4 x 50.8mm)	6" x 4" (152.4 x 101.6mm)
I: Base mounting holes	(6) 9/16" (14.3mm)	(6) 13/16" (20.6mm)	(6) 13/16" (20.6mm)	(6) 13/16" (20.6mm)	(6) 13/16" (20.6mm)
J: Front mounting hole location	1 1/2" (38.1mm)	1 1/2" (38.1mm)	1 1/2" (38.1mm)	2" (50.8mm)	2" (50.8mm)
K: Center mounting hole location	19" (482.6mm)	23" (584.2mm)	23" (584.2mm)	30" (762mm)	30" (762mm)
L: Center to rear mounting hole	19" (482.6mm)	20" (508mm)	20" (508mm)	24" (609.6mm)	24" (609.6mm)
M: Rear mounting hole location	2 3/4" (69.8mm)	3 1/2" (88.9mm)	3 1/2" (88.9mm)	4" (101.6mm)	4" (101.6mm)
N: Traverse center distance	34" (863.6mm)	35 3/4" (908mm)	35 3/4" (908mm)	47 1/2" (1206.5mm)	47 1/2" (1206.5mm)
O: Base length overall	42 1/4" (1073.1mm)	48" (1219.2mm)	48" (1219.2mm)	60" (1524mm)	60" (1524mm)
P: Base width overall	35" (889mm)	37 1/4" (946.1mm)	37 1/4" (946.1mm)	49" (1244.6mm)	53" (1346.2mm)
Q: Model length overall	51" (1295.4mm)	60" (1524mm)	60" (1524mm)	76" (1930.4mm)	76" (1930.4mm)
Standard primary voltage	230/460v	230/460v	230/460v	230/460v	230/460v
Shipping weight	1500 lbs (680.4kg)	2100 lbs (952.5kg)	2200 lbs (997.9kg)	3800 lbs (1723.6kg)	4300 lbs (1950.4kg)

*See catalog specification sheets for optional speeds and accessories. Models and specifications subject to change without notice.



KOIKE ARONSON, INC. Web Site Address: www.koike.com

Sold By:

Main Office:
 635 W. Main St., P.O. Box 307, Arcade, NY 14009
 Phone (585) 492-2400
 Fax (585) 457-3517 (585) 492-5209

Houston Sales Office:
 1285 North Post Oak, Suite 150
 Houston, TX 77055
 Phone (713) 682-9645 Fax (713) 957-4852