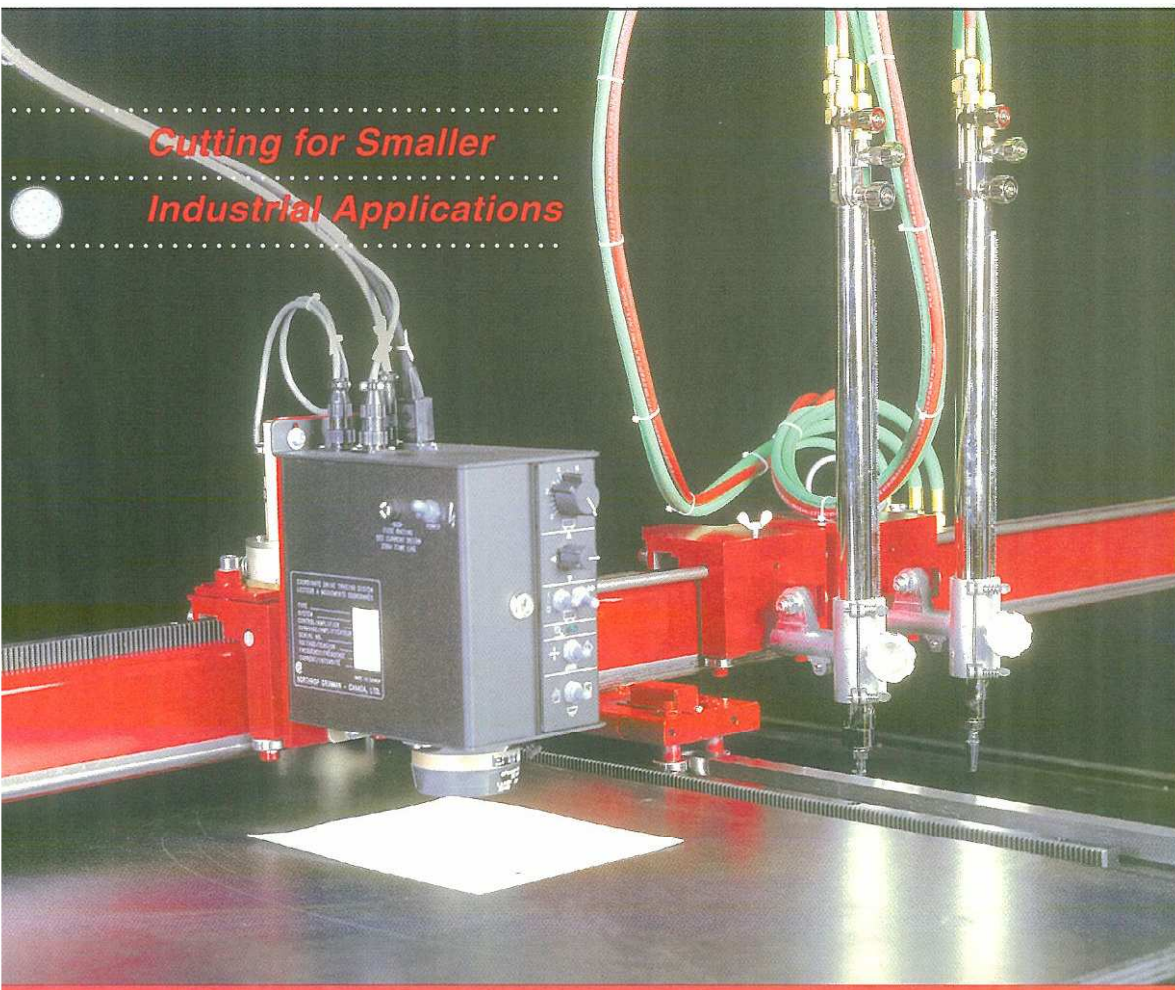

1200/1500CL Series



Coordinate Drive Shape Cutting Systems

*Cutting for Smaller
Industrial Applications*



KOIKE ARONSON, INC.

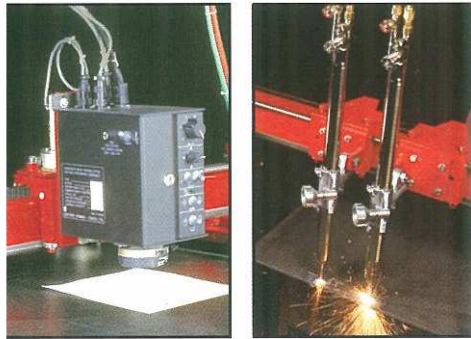


IK 1200/1500CL Series

Coordinate Drive Shape Cutting

Optical HL-90 Tracing System

- Provides automatic control of X and Y axis movement
- Tracing accuracy of $\pm .009$ in. (.25 mm)
- Kerf compensation up to .12 in. (3 mm)

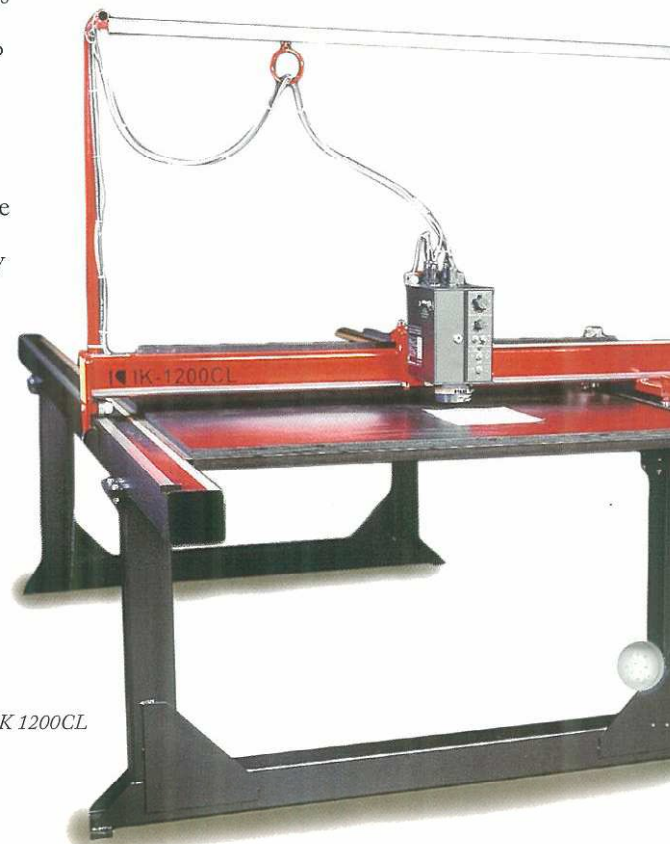


Mechanical clutches enable swift alignment of both the optical tracer and torch units.

The IK 1200 CL and 1500CL/HL-90 Coordinate Drive Tracing Systems are ideally suited for industrial applications requiring smaller cutting machines. The assembly needs little floor space and can be quickly installed by simply leveling the units adjustable leg fittings.

Prior to operation, mechanical clutches enable swift alignment of both the optical tracer and torch units. When cutting begins, the HL-90 locks onto the tracing pattern and sends commands through an amplifier to two precision DC drive motors which provide X and Y axis motion. In the event that the tracer loses the line of the pattern, the machine will be stopped by an automatic shut-down feature.

***A Lightweight,
Compact Cutting Unit.***



Model IK 1200CL

Easy to Install and Requires Little Floor Space.

Features

Coordinate Drive Unit

- Precision travel of longitudinal and transverse directions
- 2 DC servo-motors
- Mechanical clutches for easy alignment

Control Panel

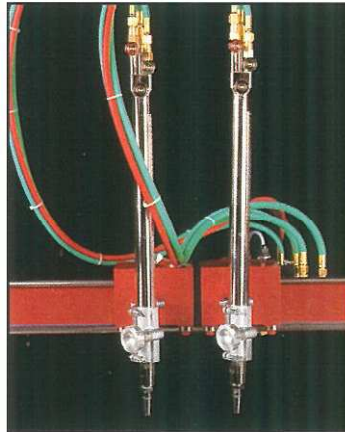
- Power
- Speed regulation
- Cutting mode
- Direction
- Drive
- Oxygen cutting

Options

- Torch Bevel Attachment
Bevel cutting without torch angle setting
- Twin Torch Holder
- Plasma Torch Carriage Assembly



The HL-90 Tracer's automatic interlock system controls the cutting oxygen solenoid valve.

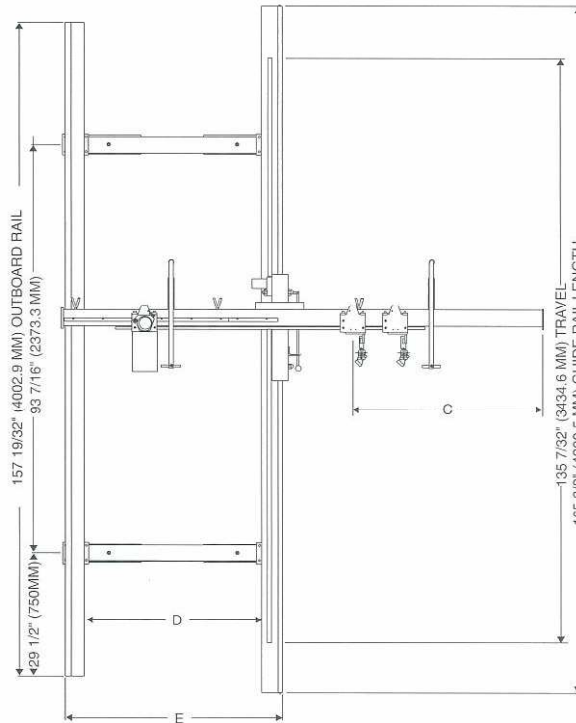
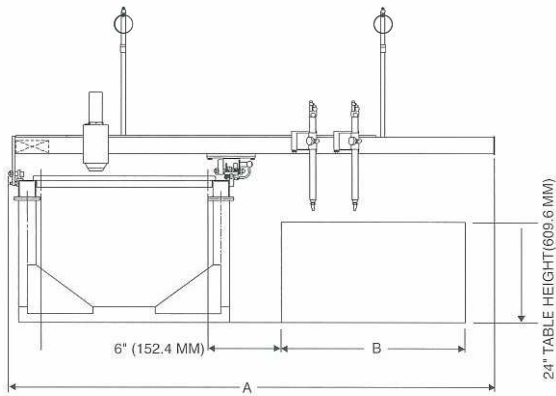


The optional Motorized Torch Riser allows smooth adjustment of the torch height.



Specifications

IK1200CL-01-06-2000



SPECIFICATIONS

Model	IK 1200CL	IK1500CL
A: Machine Width	117 29/32" (2994.8mm)	151 29/32" (3858.4mm)
B: Table Width	502" (12750.8mm)	622" (15798.8mm)
C: Cutting Width	48" (1219.2mm)	60" (1524mm)
D: Tracing Width	48" (1219.2mm)	60" (1524mm)
E: Outside of Rail	56 5/16" (1462.1mm)	68 5/16" (1766.8mm)
Rail Length	165 3/8" (4200mm)	
Rail Span	52" (1321mm)	
Tracer	HL-90 standard	
Tracing Accuracy	±.009" (±.25mm)	
Kerf Compensation	up to .12" (3mm)	
Tracing Speed	7.9-78.7" (200-2000mm/min)	
Automatic Lead In	Possible in 4 directions	
Automatic Off Line Stop	Linked with the cutting oxygen shut-off solenoid valve	
Cutting Thickness	.2-3.9" (5-100mm)	
Number of Torches	1 standard / 2 optional	
Power Supply	Single phase 120 VAC 60 Hz	



KOIKE ARONSON, INC.

Main Office:
635 W. Main St., P.O. Box 307, Arcade, NY 14009
Phone (585) 492-2400
Fax (585) 457-3517 (585) 492-5209

Houston Sales Office:
1285 North Post Oak, Suite 150, Houston, TX 77055
Phone (713) 682-9645 Fax (713) 957-4852

*The Small Package that's
Big on Performance.*

www.koike.com

Sold By: