

# TR Series



## OUTBOARD SUPPORTS PTR1000 & PTR5000

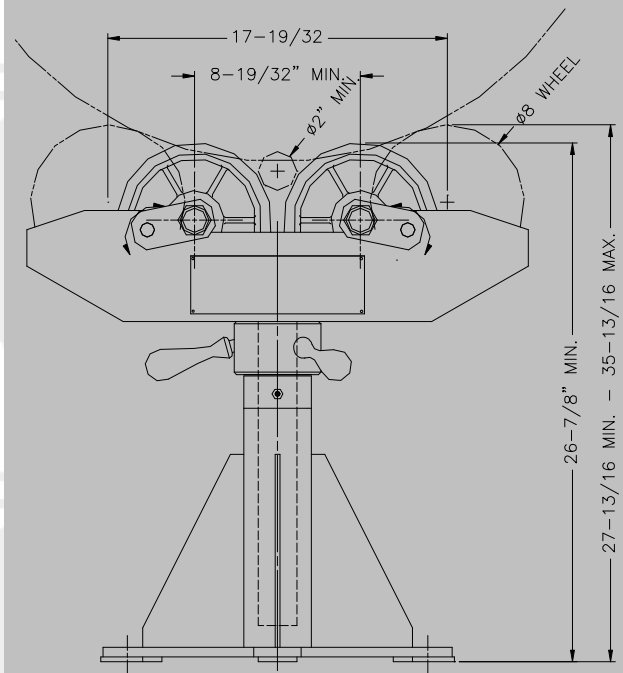


Weight capacity of 1,000 and 5,000 pounds adjustable for diameters from 2 inches to 36 inches, with polyurethane wheels 8 inches in diameter. Roller assembly is mounted on screw adjusted stand for use as outboard support with Positioner or Headstock. Vertical adjustment of 8" provides infinite height settings by means of Acme screw and nut.

**Capacities of 1,000 and 5,000 pounds.**

### Features

- ◆ 8" Polyurethane Wheels
- ◆ 2" to 36" Diameter Range
- ◆ 8" Screw Adjusted Height

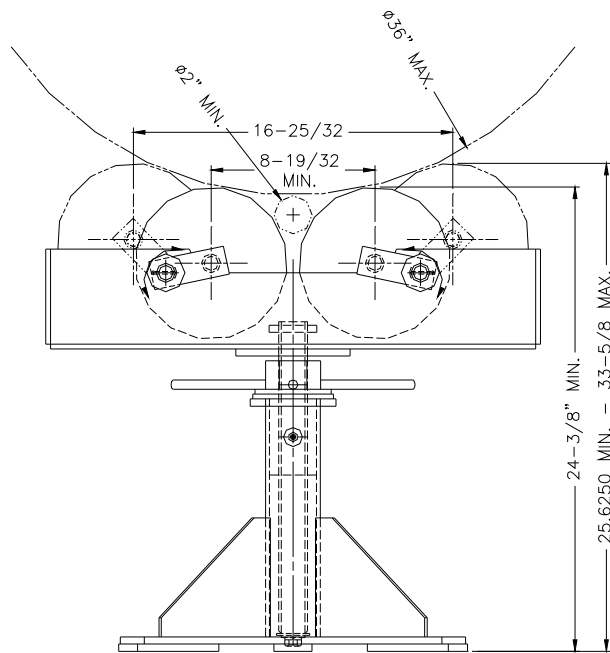
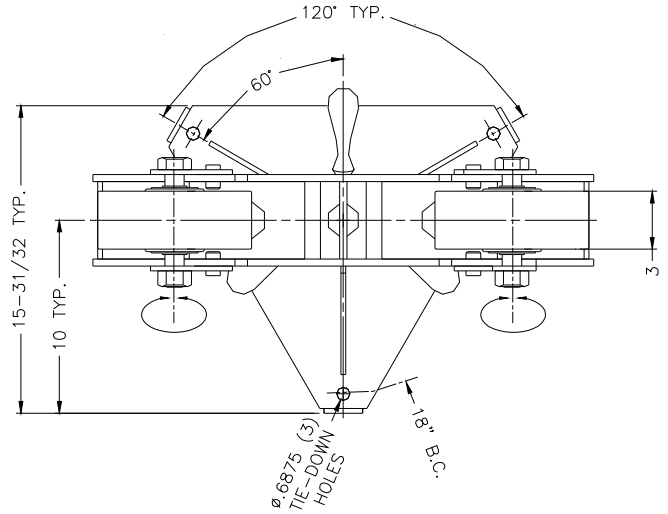
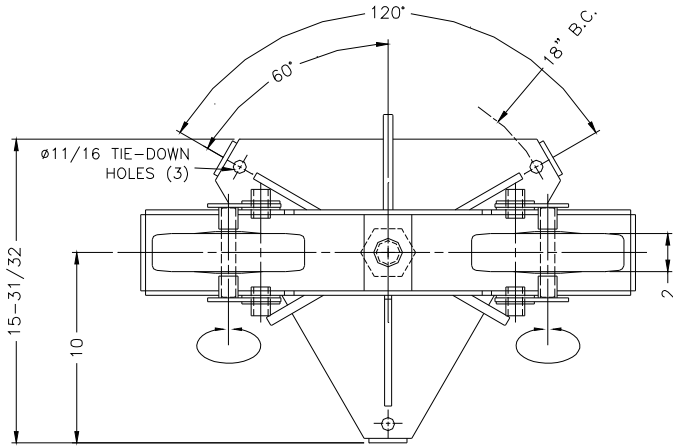


**KOIKE ARONSON, INC. / RANSOME**

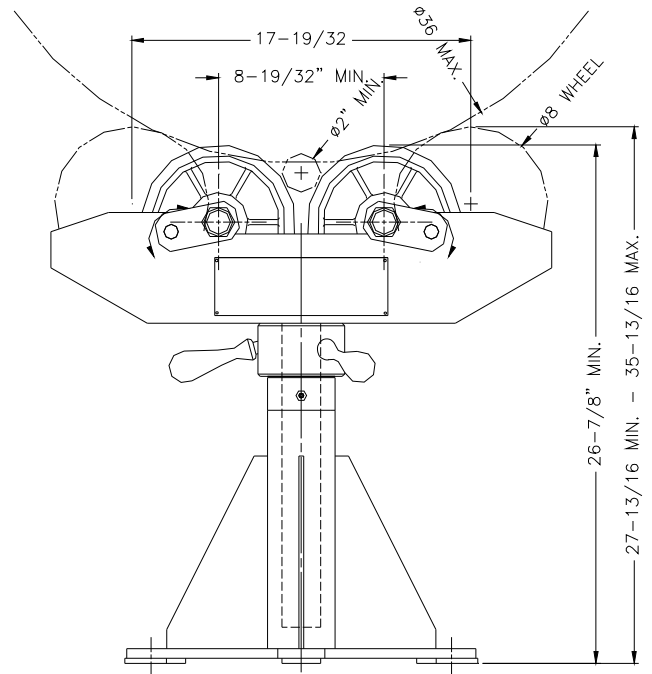
P.O. Box 307, Arcade, New York 14009  
Phone (585) 492-2400 Fax (585) 457-3517  
www.koike.com

# Specifications

## OUTBOARD SUPPORTS



**PTR 1000**



**PTR 5000**



**KOIKE ARONSON, INC. / RANSOME**

Visit us at [www.koike.com](http://www.koike.com)

**Main Office:**

P.O. Box 307, Arcade, New York 14009  
Phone (585) 492-2400 Fax (585) 457-3517

**Houston Sales Office:**

1285 N. Post Oak, Suite 150  
Houston, TX 77055  
Phone (713) 682-9645 Fax (713) 957-4852