

TR Series

Self-Aligning Turning Rolls (SA-Rolls)



Self-Aligning Turning rolls adjust wheel centerline setting automatically when the vessel is lowered into place. No couplings to change, no pins to remove or replace. "SA-Rolls" Provide constant centerline capabilities making set-up and alignment quick and easy. The self aligning rollers, which maintain a constant centerline, can rotate work pieces with diameters as small as 12" and as large as 16' without adjustment or change of drive shafts. SA-Rolls are available in 15 ton to 180 Ton capacity sets. Rolls are powered with AC variable frequency drives and motors providing a large range of rotation speeds. Hand held operator pendants are standard, with optional foot switch controls available.

The automatically infinitely adjustable centerline settings provide easy alignment for tapered vessels, while the added surface area of (4) wheels per unit provide additional support for thin walled vessels

Capacities from 15 to 180 Ton



KOIKE ARONSON, INC. / RANSOME

P.O. Box 307, Arcade, New York 14009
Phone (585) 492-2400 Fax (585) 457-3517
www.koike.com

Features

- ◆ Self-Aligning, no adjustment required
- ◆ Rubber Tires
- ◆ Variable Frequency drives and motors
- ◆ 12" to 16' Diameter capacity
- ◆ Ideal for tapered work pieces
- ◆ Thin walled vessels



SPECIFICATIONS SUBJECT TO CHANGE

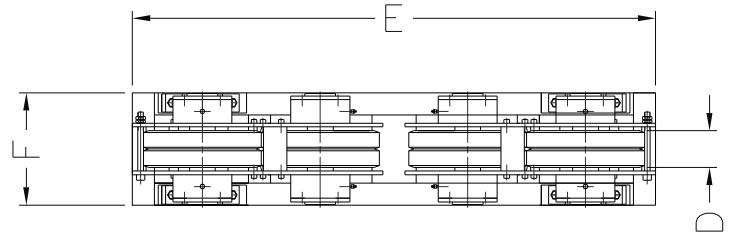
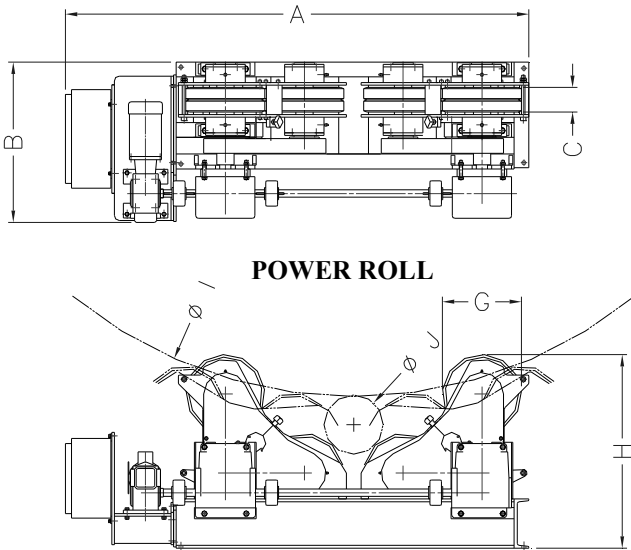
Specifications



Self Aligning Rolls (SA Rolls)

SPECIFICATIONS, Self-Aligning Rolls	Weight	Capacity	Concentric Turning Capacity	Dim. A	Dim. B	Dim. C	Dim. D	Dim. E	Dim. F	Dim. G	Dim. H	Dim. I	Dim. J
SA-15-PR	7-1/2 Ton (15,000 Lbs.)	15 Ton	15 Ton	95"	26"	3-1/2"	-	-	-	12"	29-3/4"	120"	12"
SA-7.5-IR	7-1/2 Ton (15,000 Lbs.)	N/A	N/A	-	-	-	3-1/2"	55"	9-1/2"	12"	29-3/4"	120"	12"
SA-30-PR	15 Ton (30,000 Lbs.)	30 Ton	30 Ton	108"	33-1/2"	5"	-	-	-	16"	39-1/4"	180"	12"
SA-15-IR	15 Ton (30,000 Lbs.)	N/A	N/A	-	-	-	5"	71"	13-1/2"	16"	39-1/4"	180"	12"
SA-60-PR	30 Ton (60,000 Lbs.)	60 Ton	60 Ton	137-1/2"	36-1/4"	7"	-	-	-	20-1/2"	50-7/8"	204"	18"
SA-30-IR	30 Ton (60,000 Lbs.)	N/A	N/A	-	-	-	7"	101-1/2"	17"	20-1/2"	50-7/8"	204"	18"
SA-90-PR	45 Ton (90,000 Lbs.)	90 Ton	90 Ton	137-1/2"	43-1/4"	14"	-	-	-	20-1/2"	50-7/8"	204"	18"
SA-45-IR	45 Ton (90,000 Lbs.)	N/A	N/A	-	-	-	14"	101-1/2"	25"	20-1/2"	50-7/8"	204"	18"
SA-120-PR	60 Ton (120,000 Lbs.)	120 Ton	120 Ton	143-1/2"	51"	14"	-	-	-	20-1/2"	50-1/4"	240"	28"
SA-60-IR	60 Ton (120,000 Lbs.)	N/A	N/A	-	-	-	14"	113-1/2"	26-3/4"	20-1/2"	50-1/4"	240"	28"
SA-180-PR	90 Ton (180,000 Lbs.)	180Ton	180Ton	132"	51"	21"	-	-	-	20-1/2"	56-1/4"	240"	28"
SA-90-IR	90 Ton (180,000 Lbs.)	N/A	N/A	-	-	-	21"	102"	31-1/2"	20-1/2"	56-1/4"	240"	28"

SPECIFICATIONS SUBJECT TO CHANGE



KOIKE ARONSON, INC. / RANSOME

Main Office:
P.O. Box 307, Arcade, New York 14009
Phone (585) 492-2400 Fax (585) 457-3517

Houston Sales Office:
1285 N. Post Oak, Suite 150
Houston, TX 77055
Phone (713) 682-9645 Fax (713) 957-4852

Visit us at www.koike.com