

MANIPULATORS

CHAIN LIFT MANIPULATORS



The Koike Aronson/Ransome Chain Lift Manipulator can be customized for specific applications like simple straight line to circumferential welding. The Ram ends can be outfitted with small I.D. single or multiple arc welding heads for long seam and circumferential welding procedures. We have custom designs that can handle extra heavy, and extra long reach applications. All Manipulators come standard as pedestal mount, with manual mast rotation, with the option of powered rotation, self standing bases, and manual or powered travel cars. Complete welding packages can be Koike supplied and koike mounted, Customer supplied and Koike Mounted, or Customer supplied and mounted.

Standard Reach and Lift Ranges up to 25' x 25'

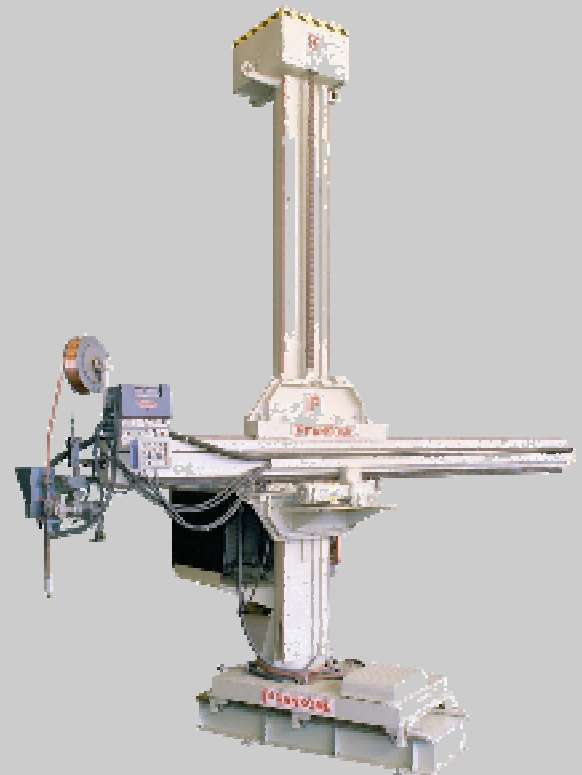


KOIKE ARONSON, INC. / RANSOME

P.O. Box 307, Arcade, New York 14009
Phone (585) 492-2400 Fax (585) 457-3517
www.koike.com

Features

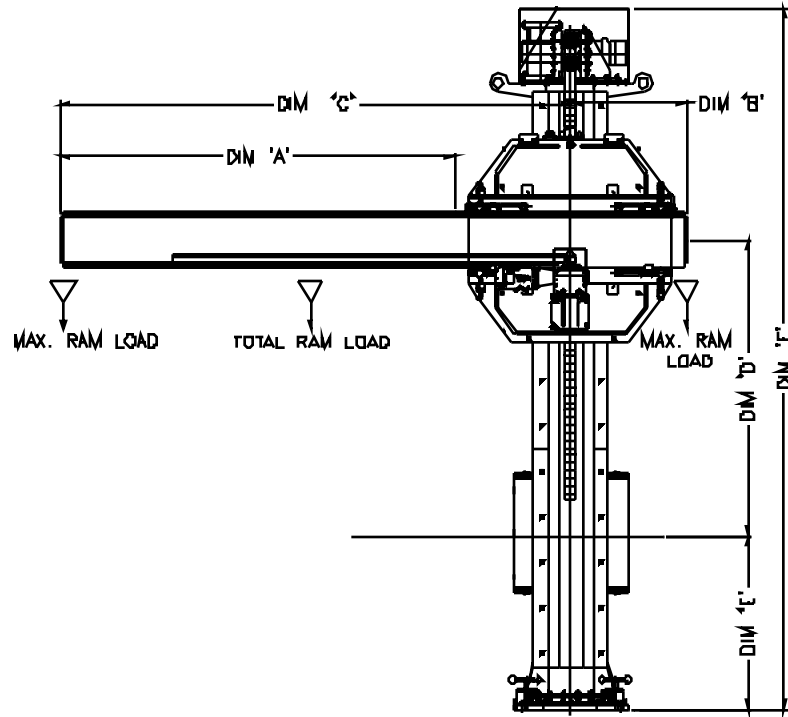
- ◆ Standard 360° Mast rotation on all models.
- ◆ Open Ram design allows easy routing and mounting of welding equipment
- ◆ Readily available cam rollers on both lift and reach axis.
- ◆ Safety pawl prevents falling in the event of chain failure.
- ◆ Bolt on replaceable lift ways
- ◆ Free standing, floor mounted and mobile cars available.
- ◆ Rack and Pinion Ram Drive



Model 1212 with 33" Ga. Car

Specifications

CHAIN LIFT MANIPULATORS



	Model 44	Model 66	Model 99	Model 1212	Model SHD	Model XHD
Ram Speed (I.P.M.)	Manual	180-1.8	150-1.5	180-1.8	134-1.3	136-1.3
Standard Ram Travel	4'	6'	9'	12'	14'	14'
Max. Ram Travel (Dim A)	4'	10'	12'	18'	20'	25'
Std. Min. Ram Distance (Dim B) from Centerline of Mast	10-1/4"	16-3/8"	24"	30-5/8"	38-3/4"	40-3/4"
Std. Max. Ram Distance (Dim C) from Centerline of Mast	58-1/4"	88-3/8"	132"	174-5/8"	206-3/4"	208-3/4"
Max. Ram Load (either or both ends)	150 Lbs.	250 Lbs.	500 Lbs.	750 Lbs.	1,000 Lbs.	1,500 Lbs.
Total Lift Load Load (both ends combined)	300 Lbs.	500 Lbs.	1,000 Lbs.	1,500 Lbs.	2,000 Lbs.	3,000 Lbs.
Standard Lift Travel	4' @ 30 IPM	6' @ 40 IPM	9' @ 40 IPM	12' @ 36 IPM	15' @ 41 IPM	14' @ 45 IPM
Max. Lift travel (Dim D)	4'	10'	12'	18'	20'	25'
Min lift Distance (Dim E) from bottom of mount plate to Centerline of Ram	26-7/8"	24"	30-1/2"	39-1/2"	45"	66"
Standard Overall height (Dim F)	90-1/4"	128"	172-1/2"	234"	274"	286"

ALL SPECIFICATIONS SUBJECT TO CHANGE



KOIKE ARONSON, INC. / RANSOME

Main Office:
P.O. Box 307, Arcade, New York 14009
Phone (585) 492-2400 Fax (585) 457-3517

Houston Sales Office:
1285 N. Post Oak, Suite 150
Houston, TX 77055
Phone (713) 682-9645 Fax (713) 957-4852

Visit us at www.koike.com