

## 180 Degree Tilter



In many applications, long weldments may be quickly mounted to 180° Tilters instead of setting up the intricate mounting often required for head and tailstock positioners.

90 degree tilt from the horizontal position assures accessibility for down-hand or flat welding, while keeping the ends of the weldment open and accessible.

180° Tilters operate in a single range of motion and are uniquely suited for many applications. The positioners also require much less floor space than other positioning products.

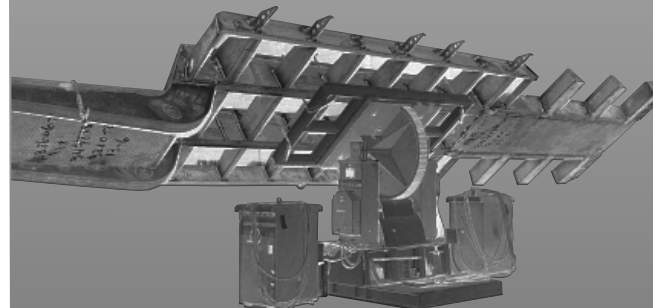
**Capacities from 3,000 to 75,000 pounds**

### Features

- NEMA 12 Electricals
- Optional table rotation
- Powered  $\pm 90^\circ$  tilt
- Optional geared elevation models available
- AC brake motors



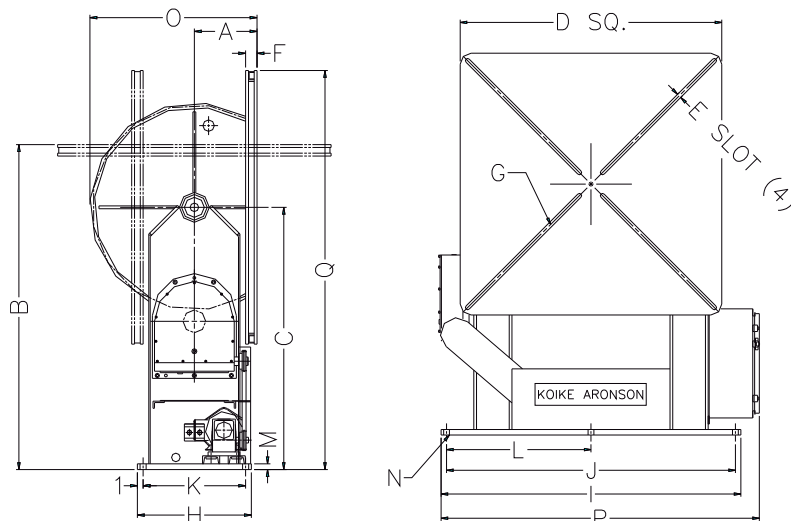
**Standard hand pendant provided with all models**



# Specifications

## 180° Tilter

MODEL	180T30	180T60	180T100	180T200	180T400	180T500	180T750
<b>Overhung Load Capacity, lb (kg)</b>							
12" CG Height	3,000 lb (1361)	6,000 lb (2721)	10,000 lb (4536)	20,000 lb (9072)	40,000 lb (18144)	50,000 lb (22680)	75,000 lb (34019)
18" CG Height	2,370 lb (1075)	4,750 lb (2154)	7,930 lb (3597)	15,860 lb (7194)	31,720 lb (14388)	39,650 lb (17985)	60,000 lb (27215)
24" CG Height	1,970 lb (893)	3,940 lb (1787)	6,570 lb (2980)	13,140 lb (5960)	26,280 lb (11920)	32,850 lb (14900)	50,000 lb (22680)
30" CG Height	1,680 lb (762)	3,360 lb (1524)	5,610 lb (2545)	11,220 lb (5089)	22,430 lb (10174)	28,040 lb (12719)	42,850 lb (19436)
36" CG Height	1,460 lb (662)	2,930 lb (1329)	4,890 lb (2218)	9,780 lb (4436)	19,570 lb (8877)	24,460 lb (11095)	37,500 lb (17010)
42" CG Height	1,300 lb (590)	2,600 lb (1179)	4,340 lb (1968)	8,670 lb (3933)	17,350 lb (7870)	21,690 lb (9838)	33,330 lb (15118)
48" CG Height	1,160 lb (526)	2,330 lb (1057)	3,890 lb (1764)	7,790 lb (3533)	15,590 lb (7071)	19,490 lb (8840)	30,000 lb (13608)
54" CG Height	1,060 lb (481)	2,120 lb (962)	3,530 lb (1601)	7,070 lb (3207)	14,150 lb (6418)	17,690 lb (8024)	27,270 lb (12369)
60" CG Height	970 lb (440)	1,940 lb (880)	3,230 lb (1465)	6,470 lb (2935)	12,950 lb (5874)	16,190 lb (7344)	25,000 lb (11340)
66" CG Height	890 lb (404)	1,790 lb (812)	2,980 lb (1352)	5,970 lb (2708)	11,940 lb (5416)	14,930 lb (6772)	23,070 lb (10464)
72" CG Height	830 lb (376)	1,660 lb (753)	2,770 lb (1256)	5,540 lb (2513)	11,080 lb (5026)	12,850 lb (5829)	21,420 lb (9716)
A: Inherent Overhang	11" (279mm)	11" (279mm)	11" (279mm)	11" (279mm)	11-1/2" (292mm)	11-1/2" (292mm)	12" (305mm)
Tilt Torque lb-in (N.m)	69,000 (7797)	138,000 (15594)	230,000 (25990)	460,000 (51980)	940,000 (106220)	1,175,000 (132775)	1,800,000 (203400)
Table Tilt Speed	0.5 RPM	0.5 RPM	0.5 RPM	0.5 RPM	0.33 RPM	0.25 RPM	0.25 RPM
Tilt Motor HP	1-1/2	2	3	7-1/2	10	10	15
Ground current conduction	1000 Amps	1000 Amps	1500 Amps	1500 Amps	2000 Amps	2000 Amps	2000 Amps
B: Table flat	57" (1448mm)	57" (1448mm)	57" (1448mm)	57" (1448mm)	57" (1448mm)	57-1/2" (1461mm)	58" (1473mm)
C: Tilt Axis	46" (1168mm)	46" (1168mm)	46" (1168mm)	46" (1168mm)	46" (1168mm)	46" (1168mm)	46" (1168mm)
D: Table Size (Square)	48" (1219)	48" (1219)	48" (1219)	48" (1219)	48" (1219)	48" (1219)	54" (1372)
E: No. of slots and width	(4) 13/16" (21)	(4) 7/8" (22.2)	(4) 13/16" (21)	(4) 13/16" (21)	(4) 1-1/16" (27)	(4) 1-1/16" (27)	(4) 1-5/16" (33)
F: Table Thickness	2" (51)	2" (51)	2" (51)	2" (51)	2-1/2" (63)	2-1/2" (63)	3" (76)
Pilot hole diameter	3.130" (79)	3.130" (79)	3.130" (79)	3.130" (79)	3.130" (79)	3.130" (79)	3.130" (79)
G: Table nut thread	3/4" -10	3/4" -10	3/4" -10	3/4" -10	1"-8	1"-8	1-1/2"-7
H: Base length	20" (508)	20" (508)	20" (508)	24" (610)	24" (610)	24" (610)	24" (610)
I: Base width	55" (1397)	55" (1397)	55" (1397)	55" (1397)	55" (1397)	55" (1397)	61" (1549)
J: Anchor width	53" (1346)	53" (1346)	53" (1346)	51" (1295)	51" (1295)	51" (1295)	57" (1448)
K: Anchor length	18" (457)	18" (457)	18" (457)	20" (508)	20" (508)	20" (508)	20" (508)
L: Anchor middle holes	26-1/2" (673)	26-1/2" (673)	26-1/2" (673)	14" (356)	14" (356)	14" (356)	14" (356)
M: Base plate	1" (25)	1" (25)	1" (25)	2" (51)	2" (51)	2" (51)	2" (51)
N: Anchor hole size	1" (25)	1" (25)	1" (25)	2" (51)	2" (51)	2" (51)	2" (51)
O: Overall length	29-1/2" (749)	29-1/2" (749)	29-1/2" (749)	35-1/2" (902)	36" (914)	36" (914)	36-1/2" (927)
P: Overall width	57-1/2" (1460)	57-1/2" (1460)	57-1/2" (1460)	59" (1499)	59" (1499)	59" (1499)	65" (1651)
Q: Overall height	70" (1778)	70" (1778)	70" (1778)	70-1/2" (1791)	70-1/2" (1791)	70-1/2" (1791)	73" (1854)
Approx. Weight lb (kg)	2,600 lb (1179)	2,700 lb (1225)	2,800 lb (1270)	3,800 lb (1724)	4,200 lb (1905)	4,200 lb (1905)	4,800 lb (2177)



All dimensions are for reference only and subject to change without notice.