



WELDING &  
POSITIONING

# CRICKET-I

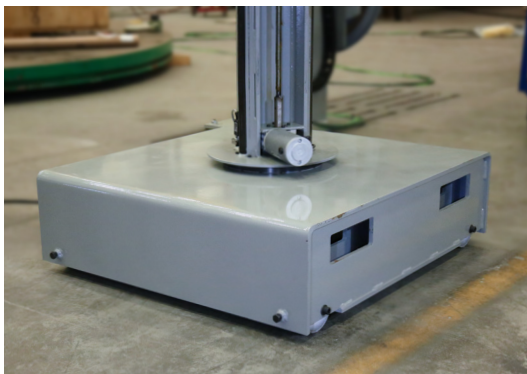
WELDING MANIPULATOR

**UNPRECEDENTED  
VALUE FOR ALL  
SHOP SIZES.**



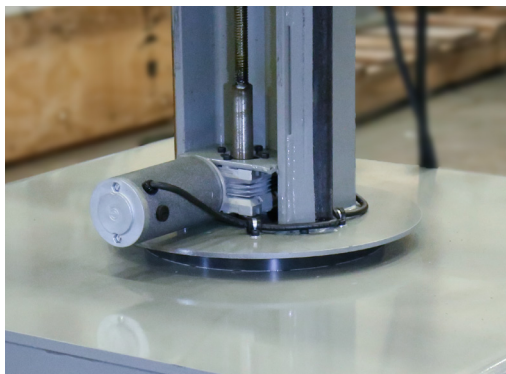
### The latest cost-efficient, American-made welding manipulator

Ruggedly built, the Cricket-I provides the same reliability and robust performance found with all Koike machines, offering fabricators a variety of premium features with a small enough footprint to fit into any size shop. The Cricket-I provides a stable and repeatable platform for semi-automatic welding processes and is built with a 150 pound capacity with options.



#### Manual Travel Car

Includes fork-truck pockets and V-wheels to run on floor or track section.



#### Manual Mast Rotation

A graduated bevel collar ensures accurate bevel setting.



#### Powered Vertical Lift

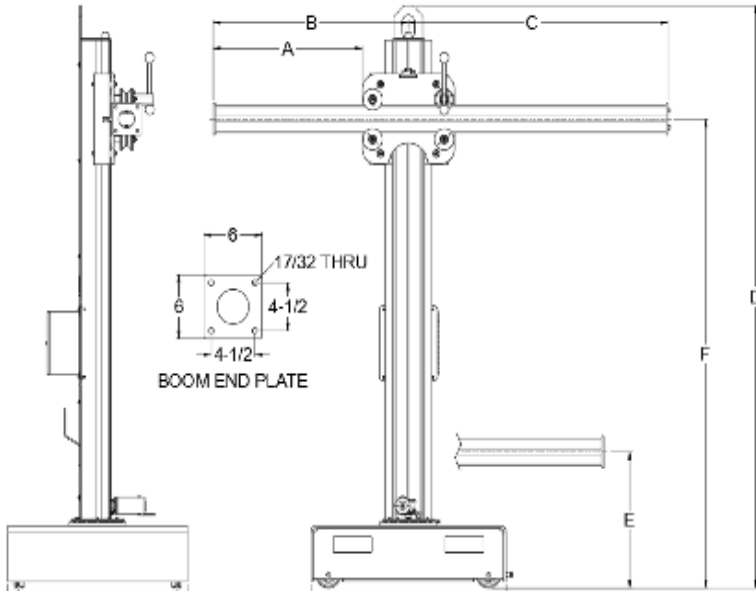
Ball screw driven lift for smooth operation, 20 IPM constant speed lift with pendant included.

**SIMPLY BETTER BUILT.**

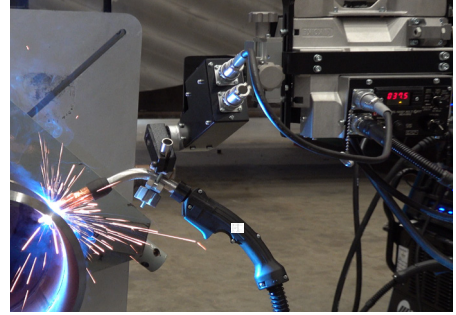


SPECIFICATIONS	
Reach Travel	Manual
Dim A: Standard Reach Travel	72 in
Dim B: Min. reach distance from CL of Mast	10 in
Dim C: Max. reach distance from CL of Mast	82 in
Dim D: Height overall (HOA) without track	109-1/2 in
Lift Speed	20 lpm
Lift Motor HP	1/8 hp
Dim E: Min. lift from floor to CL of boom	22-3/4 in
Dim F: Max. lift from floor to CL of boom	94-3/4 in
Weight Capacity (either end or split)	150 pounds
Boom end plate	6 in x 6 in
Car Dimensions	40-1/4 in x 37 in
Rail gauge (Dual V)	32-1/2 in
Machine Voltage	115/1/60 @ 20 AMP

\*Specifications are subject to change without notice



## Cricket-I OPTIONAL EQUIPMENT



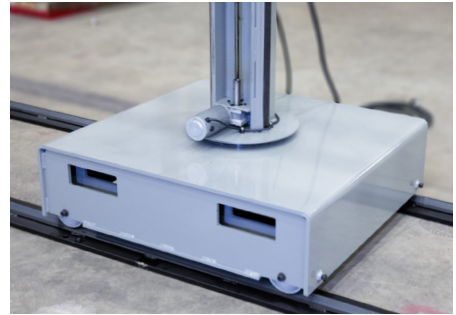
### Pipe Welding Package

Includes Wel-Handy Next

Programmable WU-3 Weaver and control

3 in x 3 in manual cross slide

Mounting brackets for pendants and welding controls



### Rail Sections

32-1/2 in low profile rail gauge

Dual V, inverted angle iron

Available in 10 ft lengths



**Simply better built – for over 100 years.** Our strictly controlled manufacturing and production processes ensure we have the highest-quality machines with the most reliable performance. We collaborate with our customers to produce the right machine for their needs within a range of budgets.

Visit [Koike.com/home](http://Koike.com/home) for more information or contact your local distributor.



WELDING &  
POSITIONING



CUTTING



PORTABLES &  
GAS APPARATUS

Learn More



WWW.KOIKE.COM



635 W Main St.  
Arcade, NY 14009  
Ph: 585-492-2400