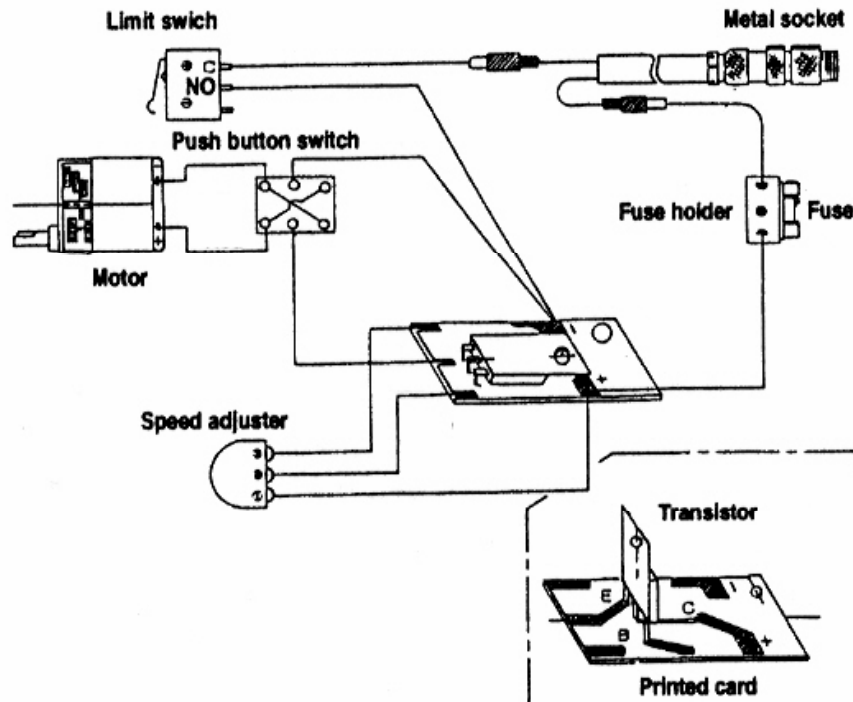


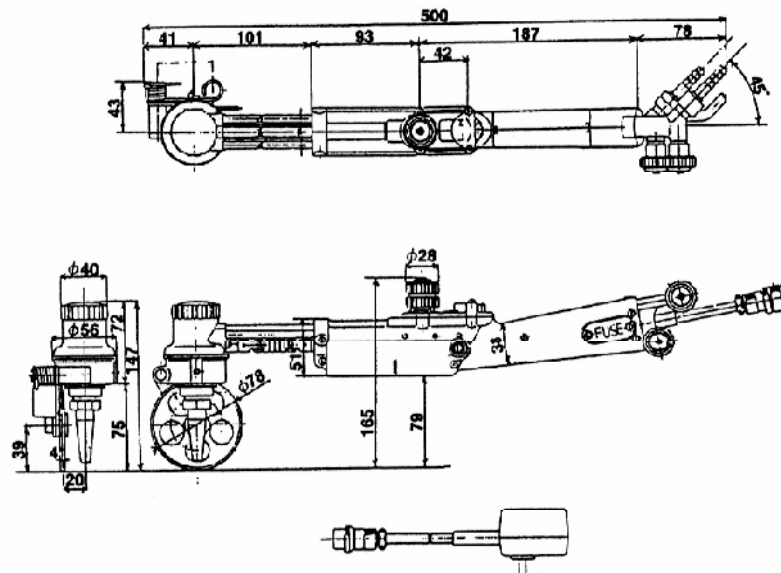
5) Wheel rotates but speed cannot be adjusted.

Possible Cause	Remedy
Faulty speed adjuster or transistor.	Repair or replace.

## 8 Wiring diagram

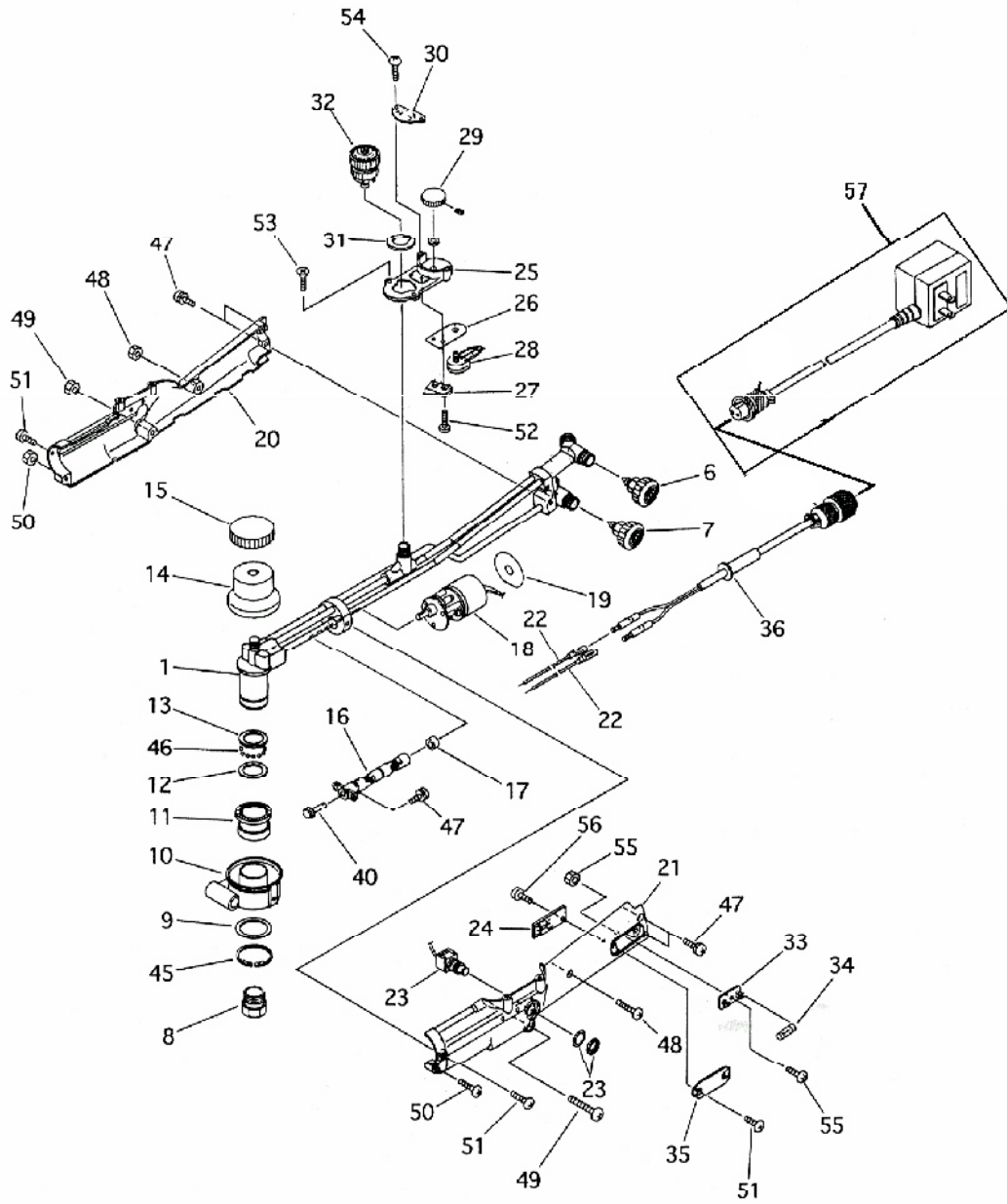


## 9 Assembly drawing of HANDY AUTO



# 10 Parts list

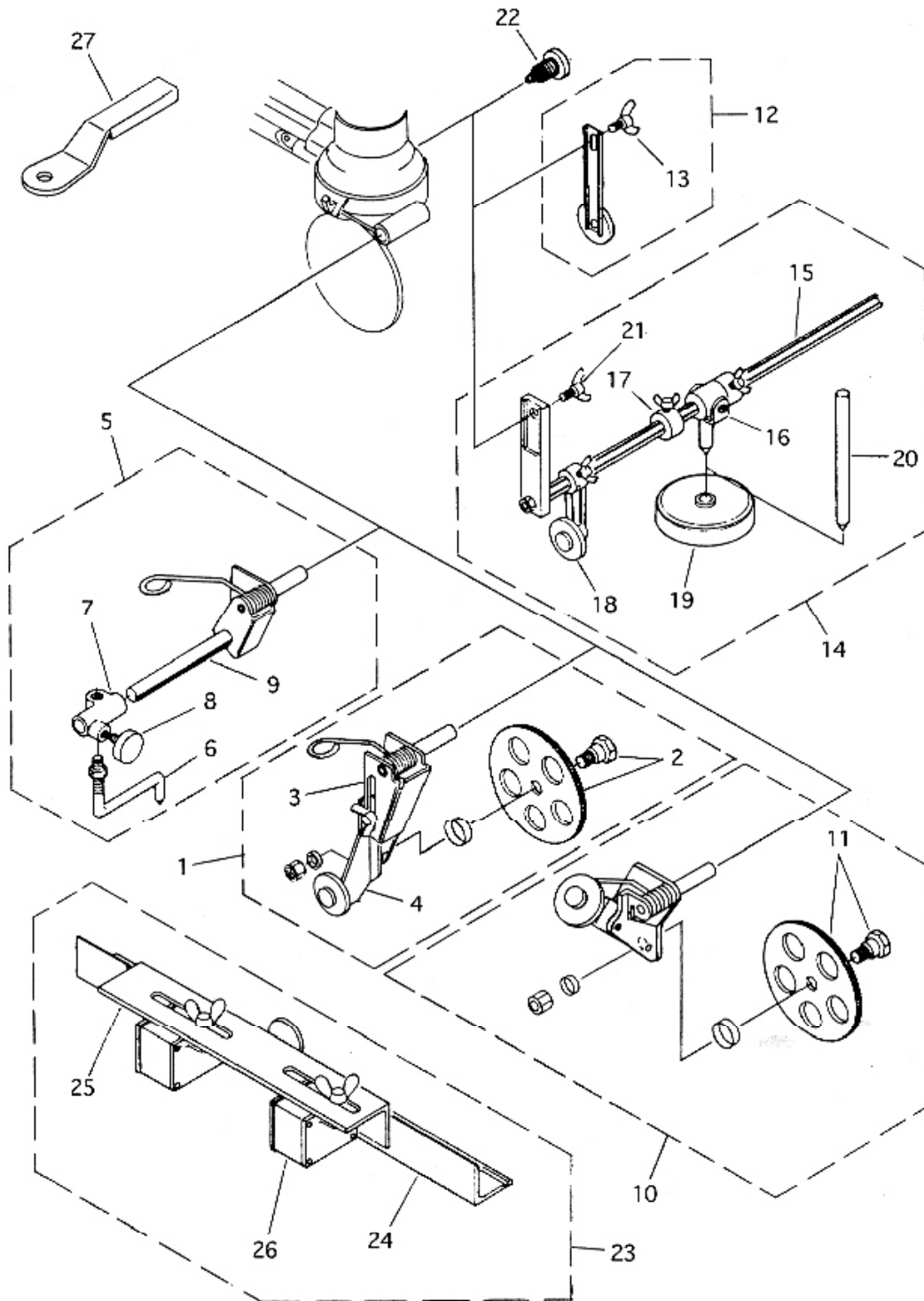
## 10.1 Main units



ITEM NUMBER	PART DESCRIPTION	QUANTITY	PART NUMBER	REMARKS
1	TORCH	1	ZS30002	
6	PREHEAT OXYGEN VALVE	1	ZS15255	
7	GAS VALVE	1	ZS15256	
8	TIP FIXING NUT	1	ZS15032	
9	TORCH HEAD COLLAR	1	ZS30003	
10	GEAR COVER	1	ZS30004	
11	BEVEL GEAR	1	ZS30007	DU BUSH
12	THRUST COLLAR	1	ZS30008	LOWER SIDE
13	THRUST COLLAR	1	ZS30009	UPPER SIDE
14	TORCH HEAD COVER	1	ZS30005	
15	POSITION SETTING KNOB	1	ZS30006	
16	UNIVERSAL JOINT	1	ZS30010	
17	REDUCTION GEAR COLLAR	1	ZS30011	
18	MOTOR WITH SPEED REDUCTION GEAR	1	ZS30021	
19	MOTOR INSULATING PLATE	1	ZS30038	
20	MAIN UNIT COVER	1	ZS30019	RIGHT
21	MAIN UNIT COVER	1	ZS30020	LEFT
22	MID WAY TERMINAL	1	ZS30028	
23	PRESS BUTTON SWITCH	1	ZS30022	
24	PRINTED CIRCUIT BOARD	1	ZS30064	
25	LIMIT SWITCH COVER	1	ZS30014	
26	LIMIT SWITCH INSULATION COVER	1	ZS30017	
27	LIMIT SWITCH	1	ZS30023	
28	SPEED ADJUSTER	1	ZS30024	
29	SPEED ADJUSTER KNOB	1	ZS30015	WITH SCREW
30	SPEED ADJUSTER COVER	1	ZS30016	
31	LIMIT SWITCH TOP	1	ZS30012	
32	JET OXYGEN VALVE WITH KNOB	1	ZS30013	
33	FUSE HOLDER	1	ZS30026	
34	FUSE	1	ZS30027	
35	FUSE COVER	1	ZS30018	
36	METAL SOCKET	1	61004650	WITH CORD

ITEM NUMBER	PART DESCRIPTION	QUANTITY	PART NUMBER	REMARKS
40	BEVEL GEAR (S)	1	ZS30062	
45	STOP RING	1	996862400	ISTW-28
46	STEEL BALL	32	ZSTB1/8	
47	SCREW	1	9968174900	SR-4X10
48	SCREW	1	9968175800	SR-4X25
49	SCREW	1	9968176200	SR-4X35
50	SCREW	1	9968175400	SR-4X18
51	SCREW	4	9968174800	SR-4X8
52	SCREW	2	9968166800	SR-2X10
53	SCREW	2	9968155100	SF-4X8
54	SCREW	2	9968175400	SR-4X18
55	SCREW	1	9968172300	SR-3X6
56	SCREW	1	9968174700	SR-4X6
57	AC ADAPTER WITH CABTYRE CORD	1	64000232	GREEN PIGTAIL
	BEFORE MODEL YEAR 2009	1	64000232 & 61004650	BLACK PIGTAIL

## 10.2 Option units



ITEM NUMBER	PART DESCRIPTION	QUANTITY	PART NUMBER	REMARKS
1	STANDARD WHEEL ASSEMBLY	1	ZK30100	
2	078 DRIVE WHEEL	1	ZS30107	WITH SHAFT NUT
3	STANDARD WHEEL BRACKET	1	ZS30108	
4	GUIDE WHEEL	1	ZS30109	
5	SMALL CIRCLE ATTACHMENT	1	61001597	
6	CENTERING NEEDLE	1	61001556	
7	CENTERING NEEDLE HOLDER	1	ZS30113	
8	RADIUS SETTING KNOB	1	ZS30114	
9	BRACKET BAR	1	61001599	
10	BEVELING WHEEL ASSEMBLY	1	ZS30102	
11	BEVELING WHEEL	1	ZS30110	WITH SHAFT NUT
12	AUXILLARY WHEEL ASSEMBLY	1	ZS30101	
13	WING NUT	1	ZS30126	
14	LARGE CIRCLE CUTTING ASSEMBLY	1	ZS30106	
15	BAR	1	ZS30120	LG CIRCLE ATTACHMENT
	BAR	1	ZS30132	X-LARGE CIRCLE ATTACHMENT
16	FREE HOLDER	1	ZS30121	
17	STOP COLLAR WITH WING BOLT	1	ZS30122	
18	SUPPORT ROLLER	1	ZS30123	
19	MAGNET	1	ZS30124	
20	CENTERING MAGNET	1	ZS30125	
21	WING NUT	1	9968232100	
22	CLUTCH KNOB	1	ZS30115	
23	STRAIGHT RAIL ASSEMBLY	1	ZS30104	20"
24	RAIL	1	ZS30117	
25	RAIL BRACKET	1	ZS30118	
26	MAGNET WITH WING BOLT	1	ZS30119	
27	GUIDE LEVER	1	ZS30105	

# KOIKE ARONSON

## HANDY AUTO POWER CORD

Does the torch have a pigtail?  
(Very old machines may **not** have a pigtail)

**Yes**

Is the plug between the power cord and the pigtail Green or Black?

**Green**

Need power cord  
64000232



**Black**

Need power cord  
64000232 & Pigtail  
61004650



**No**

Need part # 64000232  
& 61004650

There was a change in the Handy Auto power cords effective 1/2009 from a black plug to a green plug between the power cord and the pigtail. Please review the chart below to determine which parts you will need to replace the power cord you have.