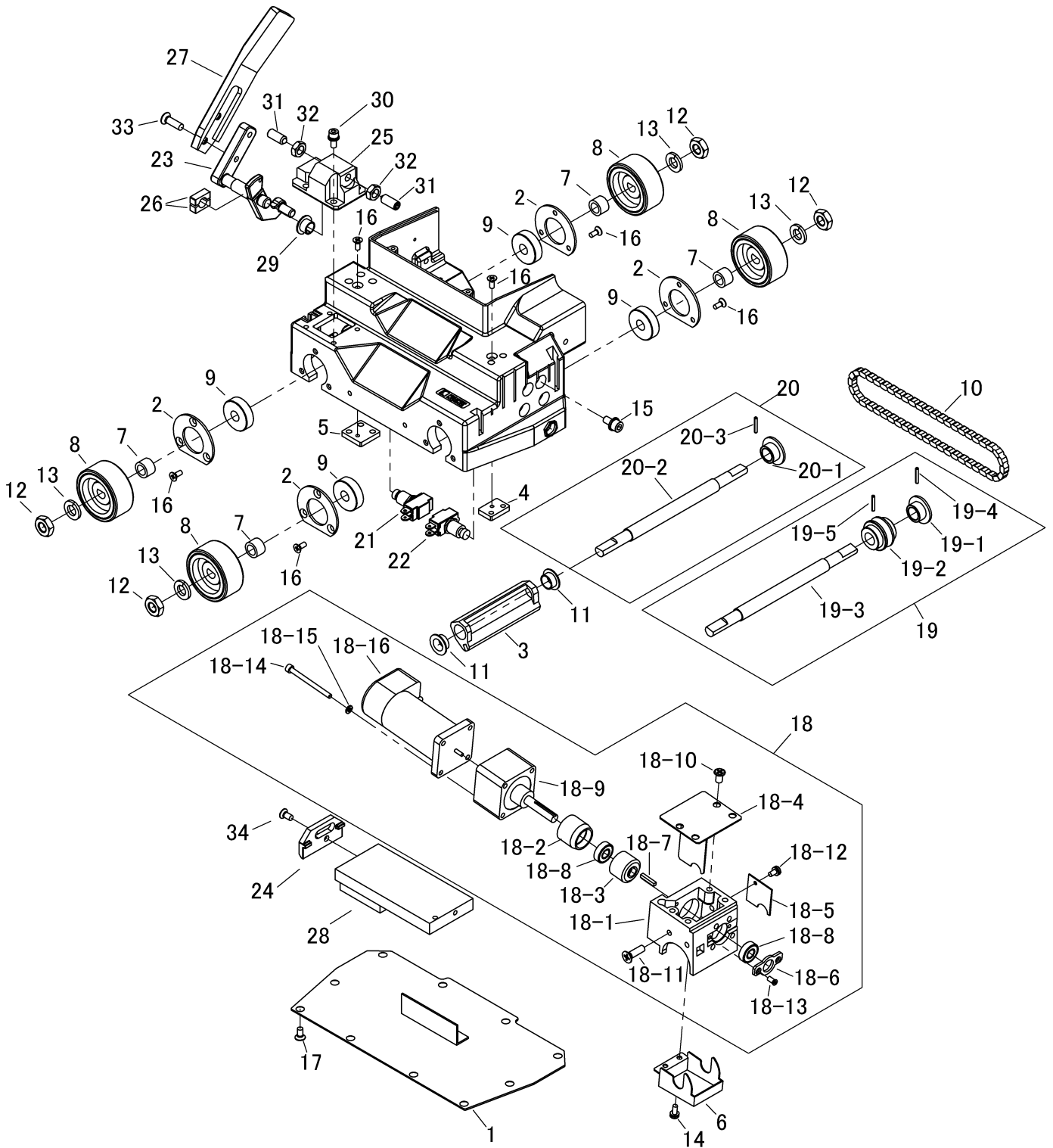


9 Parts list

9.1 Main body and inside parts



Main body and inside parts

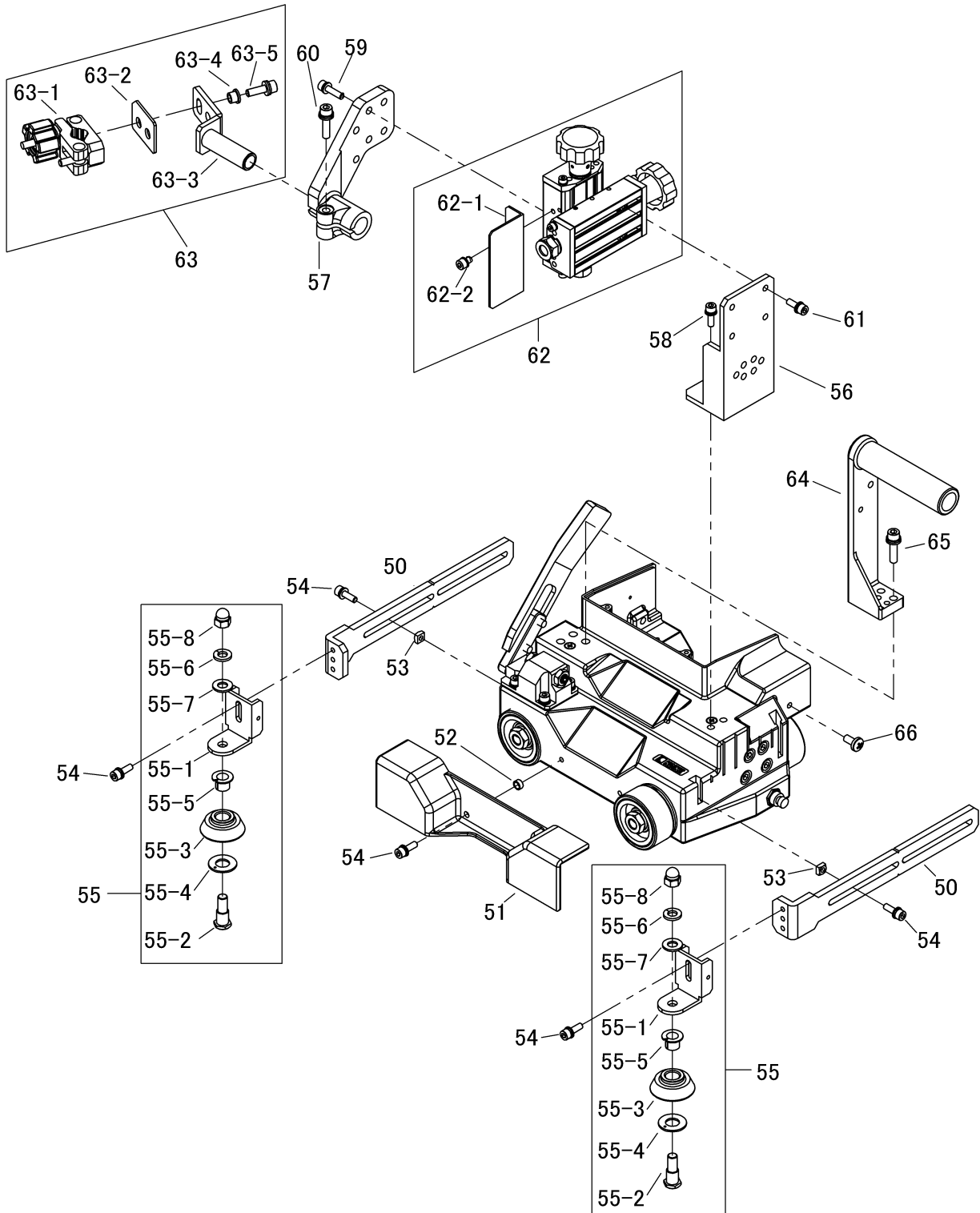
ITEM No.	PART NAME	QTY	STOCK No	REMARKS
1	Under cover	1	20503581	
2	Bearing plate	4	20503582	
3	MG Holding block	1	20503558	
4	Mounting plate A	1	20503583	
5	Mounting plate B	1	20503584	
6	Gear box under cover	1	20503576	
7	Spacer	4	61007553	
8	Drive roller	4	61000579	
9	Bearing	4	6A036200	6200ZZ
10	Chain	1	67000012	RS15-82 コマ
11	DU bush	2	60034035	MB1206-20FDU
12	Nut	4	6D030100	NH-10
13	Spring washer	4	6D510100	WS-10
14	Screw	1	6C530410	SP-4×10
15	Hexagon socket head cap screw	4	6C440612	BC-6×12 (WS)
16	Screw	14	6C500408	SF-4×8
17	Screw	10	6C500510	
18	Gear box assembly	1	20504347	
18-1	Gear box	1	20503565	
18-2	Gear box bearing spacer	1	20503575	
18-3	Worm gear	1	61007941	
18-4	Gear box cover	1	20503577	
18-5	Gear box side cover	1	20503578	
18-6	Gear box bearing plate	1	20503579	
18-7	Key	1	20503768	
18-8	Bearing	2	6A030698	
18-9	Gear head	1	61007942	IG-43-KS51/49
18-10	Screw	4	20504668	M6×10
18-11	Screw	1	6C500608	SF-6×8
18-12	Screw	1	6C570410	SP-4×10
18-13	Screw	2	20504669	M4×8

ITEM No.	PART NAME	QTY	STOCK No	REMARKS
18-14	Hexagon socket head cap screw	4	6C030450	BC-4×50
18-15	Spring washer	4	6D510040	WS-4
18-16	Motor	1	61007939	
19	Drive shaft assembly	1	20504449	
19-1	Sprocket	1	20503665	※2
19-2	Worm wheel	1	61007940	※2
19-3	Motor wheel shaft	1	61000568	J4105-10A03-1 ※2
19-4	Spring pin	1	6B022518	PR-2.5×18
19-5	Expansion pin	1	5A001065-Y	PR-3×22
20	Idle shaft assembly	1	20504450	
20-1	Sprocket	1	20503665	※2
20-2	Motor wheel shaft	1	61000568	J4105-10A03-1 ※2
20-3	Spring pin	1	6B022518	PR-2.5×18
21	Limit switch(R)	1	61006497	
21-1	Push button switch	1	64000171	
22	Limit switch(L)	1	61006470	
22-1	Push button switch	1	64000171	
23	MG lever	1	20503408	
24	MG bracket	1	20503574	
25	MG lever holder	1	20503569	
26	MG lever collar	2	20503573	
27	Lever	1	61000641	J4105-13B08
28	Standard magnet	1	61007944	
	50kg magnet	(1)	61000733	
29	DU bush	1	6D710718	MB1007-18FDN
30	Hexagon socket head cap screw	4	6C450512	BC-5×12 (WF,WS)
31	Ball plunger	2	20503746	BSTH8A
32	Nut	2	6D030080	NH-8
33	Screw	2	6C500614	SF-6×14
34	Screw	1	6C500510	SF-5×10
35	grease	(1)	20505213	※1

※1 It is grease to be applied to the long hole of No.24 MG bracket and the shaft of No.23 MG lever.

※2 It is necessary to drill and pin the holes to match the actual product.

9.2 Outside parts



Outside parts

ITEM No.	PART NAME	QRY	STOCK No	REMARKS	ITEM No.	PART NAME	QTY	STOCK No	REMARKS
50	Arm	2	20503559						
51	Body cover	1	61000590						
52	72T spacer	2	60033114						
53	Square nut	4	20504590-Y	M5 ★					
54	Hexagon socket head cap screw	8	6C450516	BC-5x16 (WS, WF)					
55	Roller assembly	2	20504623						
55-1	Roller bracket	1	20503655						
55-2	Roller axis	1	61006967						
55-3	Guide roller	1	67000374						
55-4	Washer	1	6D520010	WC10DUN					
55-5	DU bush	1	6D711018	MB1010-18FDN					
55-6	Washer	1	6D500080	WF-8					
55-7	Spring washer	1	6D510080	WS-8					
55-8	Cap nut	1	6D040080	M8					
56	Slide unit bracket	1	20503580						
57	Fixing holder	1	61000597						
58	Hexagon socket head cap screw	2	6C450516	BC-5x16 (WS, WF)					
59	Hexagon socket head cap screw	2	6C450520	BC-5x20 (WS, WF)					
60	Hexagon socket head cap screw	1	6C450625	BC-6x25 (WS, WF)					
61	Hexagon socket head cap screw	2	6C450515	BC-5x15 (WS, WF)					
62	Slide unit assembly	1	20503749						
62-1	Slide unit sputtering cover	1	20503564						
62-2	Hexagon socket head cap screw	2	40002312-Y	BC-5x8(WS)					
63	Torch holder assembly	1	20504624						
63-1	Clamp assembly	1	20505525						
63-2	WH Insulating plate	1	60038148	J3823-10C04					
63-3	Torch holder received	1	61006968						
63-4	WH spacer	2	60038149	J3823-10C05					
63-5	Hexagon socket head cap screw	2	6C450620	BC-6x20 (WS, WF)					
64	Handle	1	61000601						
65	Hexagon socket head cap screw	2	6C450625	BC-6x25 (WF,WS)					
66	screw	2	6C520610	SP-6x10					

9.3 Electrical parts

