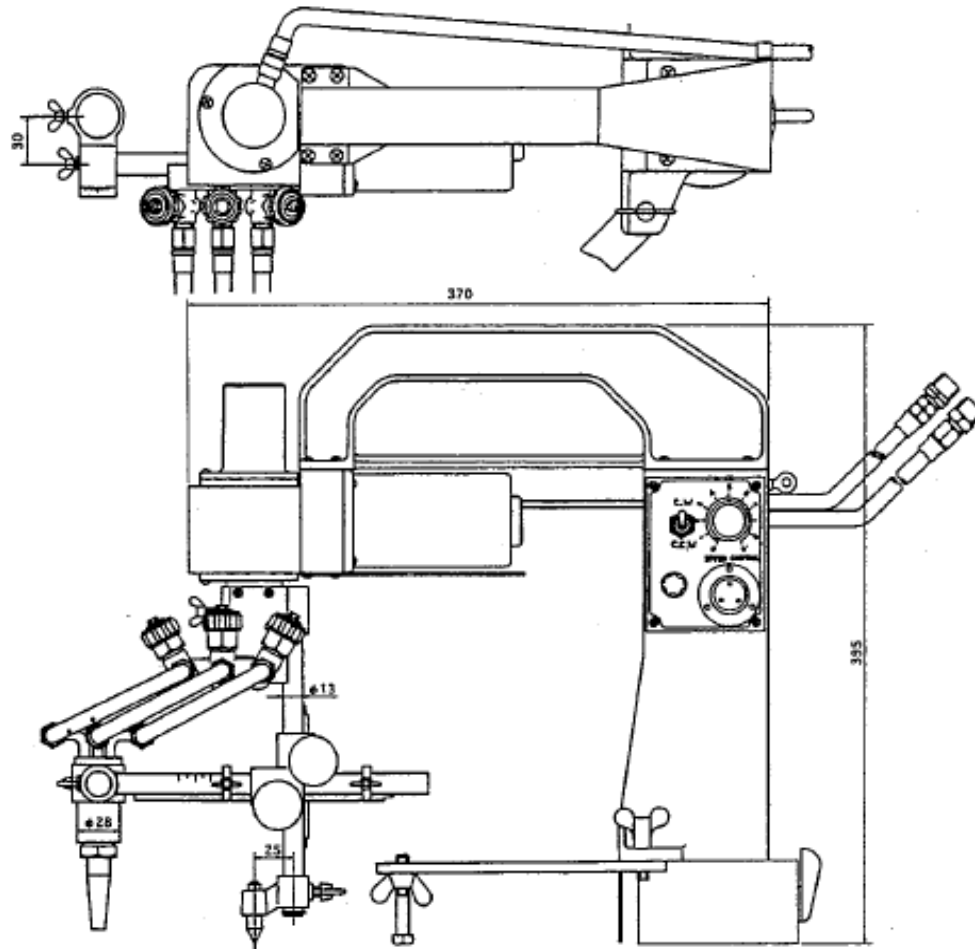
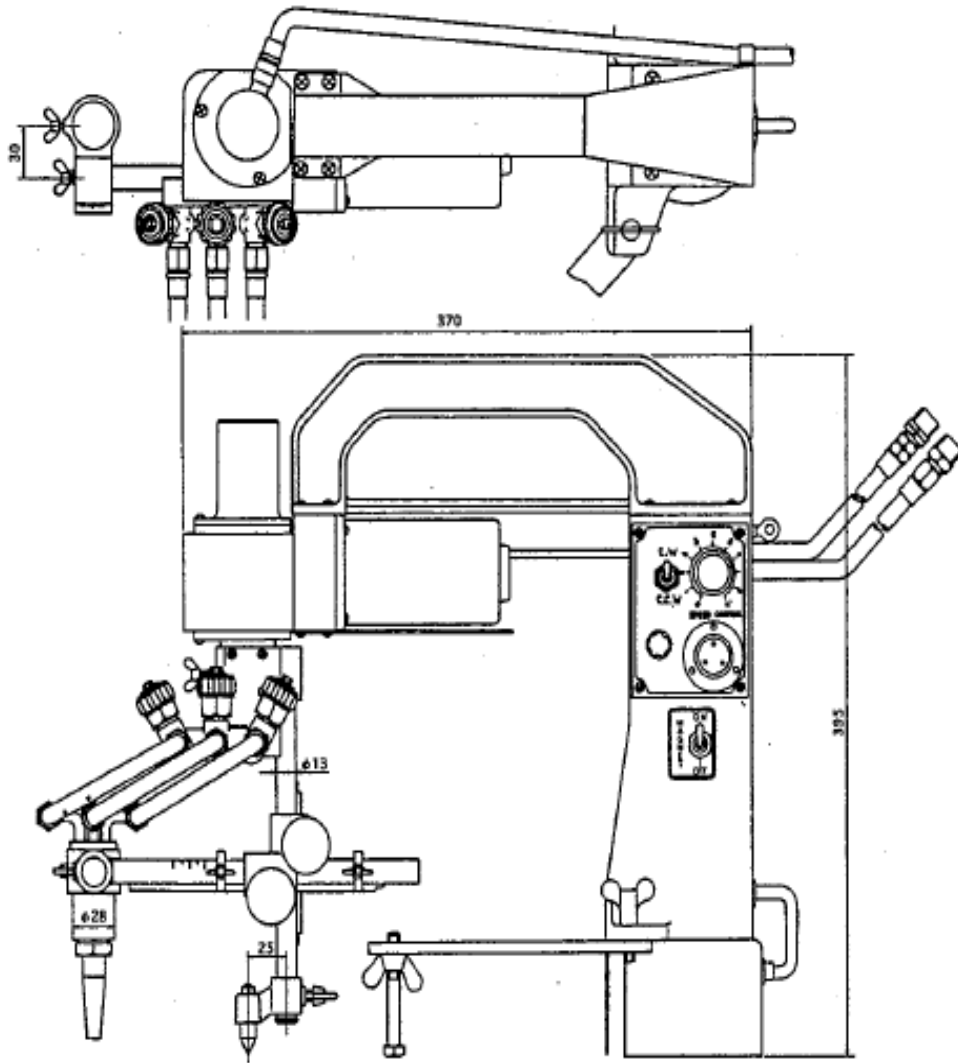


9 Assembly drawing of CIR-CUT

■ CIR-CUT I

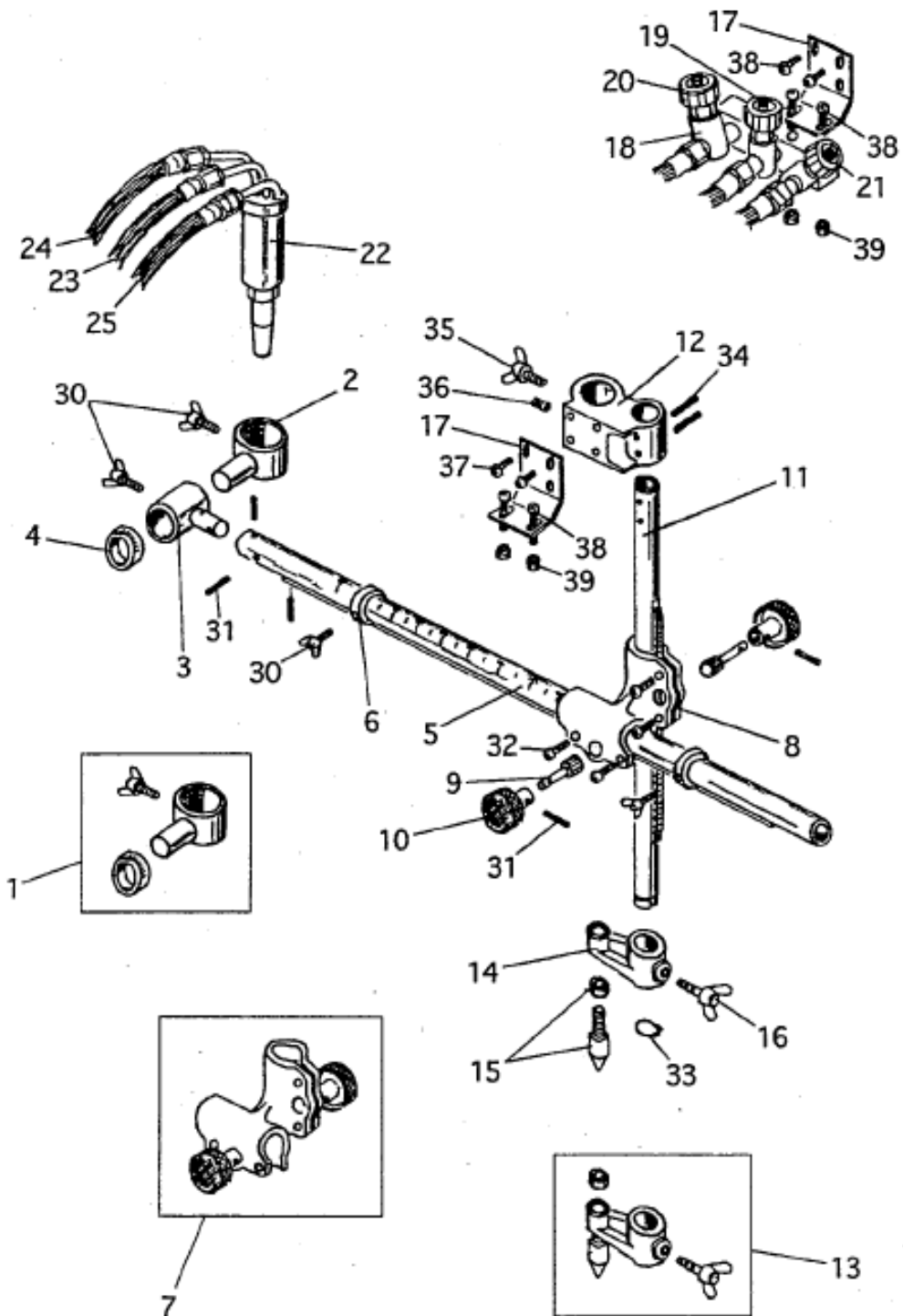


■ CIR-CUT II



10 Parts List

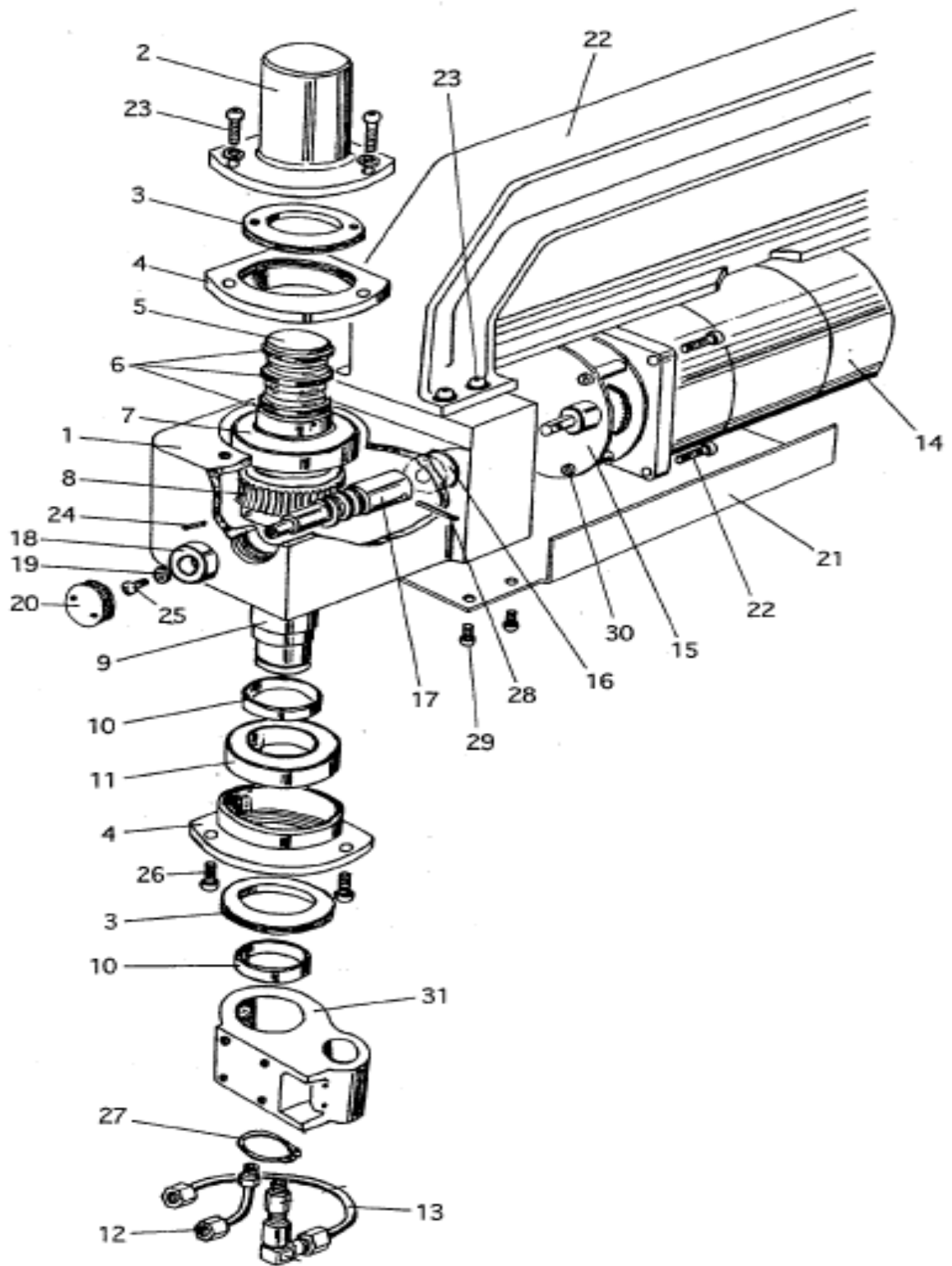
10.1 Gas unit



ITEM NUMBER	PART DESCRIPTION	QUANTITY	PART NUMBER	REMARKS
1	TORCH HOLDER ASSEMBLY	1	ZK32600	
2	TORCH HOLDER	1	ZS32601	
3	TORCH HOLDER BASE	1	ZS32602	
4	GRADUATION COLLAR	1	ZS30906	WITH SCREW
5	GRADUATION PIPE	1	ZS32604	WITH RACK
6	STOPPER	2	ZS32650	
7	CROSS FEED HOLDER ASSEMBLY	1	ZS32655	
8	CROSSS FEED HOLDER	1	ZS32605	
9	PINION	2	ZS31627	
10	HANDLE	2	ZS31628	
11	ROTARY PIPE	1	ZS32606	WITH RACK
12	ROTARY PIPE HOLDER	1	ZS32607	
13	CENTER HOLDER ASSEMBLY	1	ZK32609	
14	CENTER HOLDER	1	ZS32608	
15	PIVOT PIN	1	ZS30913	
16	STOP HANDLE	1	ZS30915	
17	DISTRIBUTOR BRACKET	1	ZS32637	
18	DISTRIBUTOR	1	ZS13104	
19	JET OXYGEN VALVE	1	ZS15351	
20	PREHEAT OXYGEN VALVE	1	ZS15355	
21	GAS VALVE	1	ZS15356	
22	TORCH	1	ZS10354	
23	JET OXYGEN HOSE	1	ZS32639	
24	PREHEAT OXYGEN HOSE	1	ZM32639	
25	GAS HOSE	1	ZS32642	
30	WING BOLT	3	9968230000	BS-4X8
31	SPRING PIN	3	9968202000	PR-2X12
32	SCREW	4	9968175300	SP-4X15
33	STOP RING	1		STWX13
34	SPRING PIN	2	9968204500	PR-2.5X20
35	WING BOLT	1	9968231100	BS-5X10
36	SCREW	1	9968273700	SS-5X8

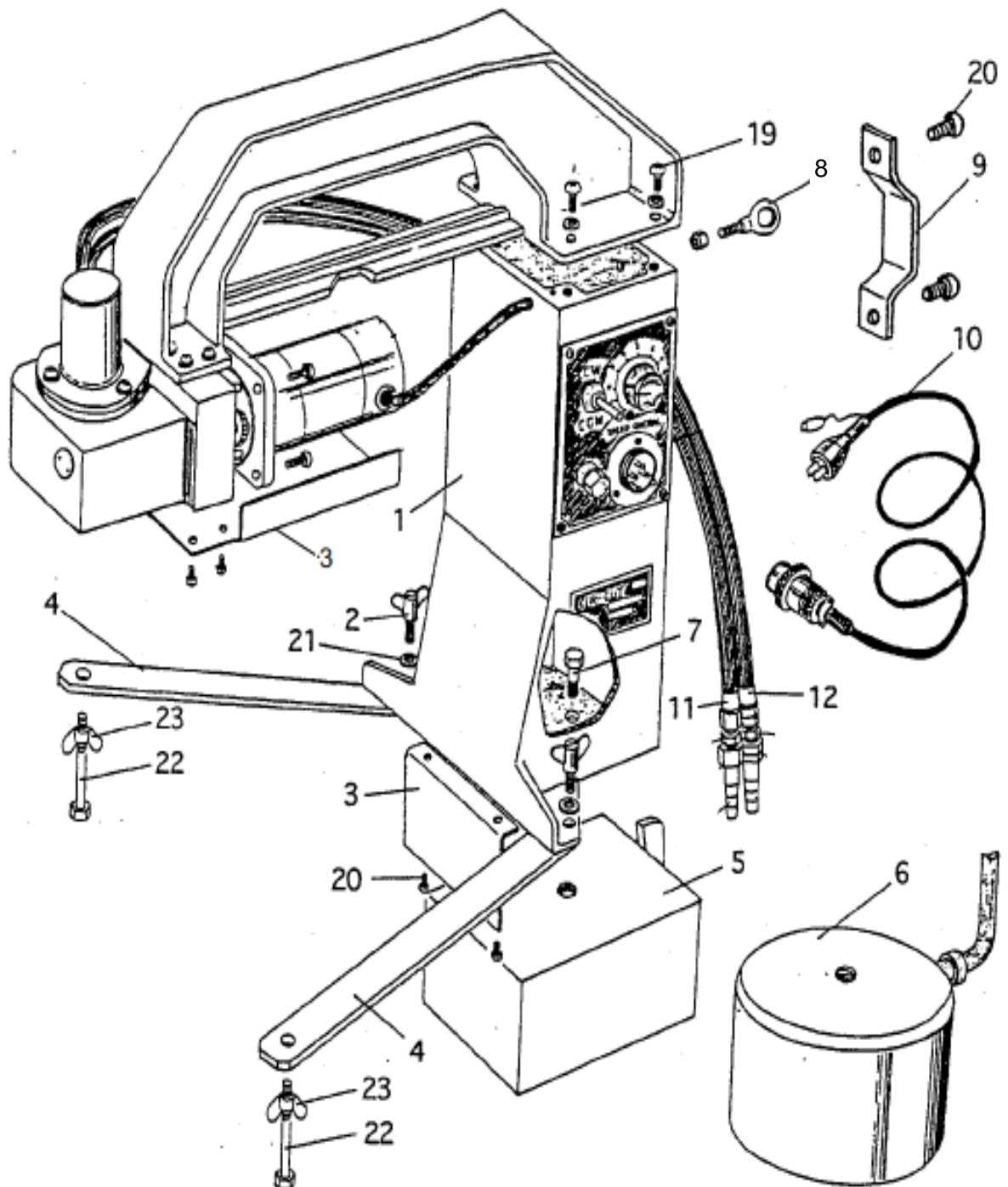
ITEM NUMBER	PART DESCRIPTION	QUANTITY	PART NUMBER	REMARKS
37	SCREW	2	9968174800	SP-4X8
38	SCREW	2	9968175800	SP-4X25
39	NUT	2	9968123100	NH-4

10.2 Speed reducer unit



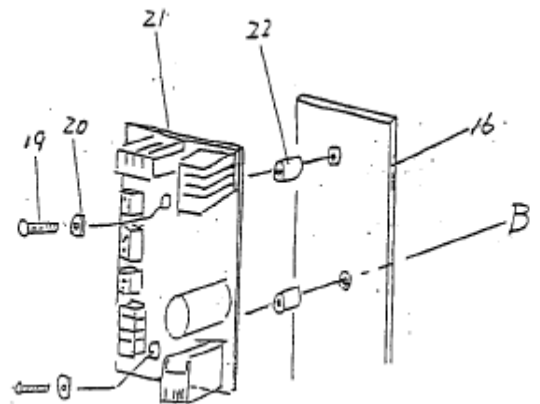
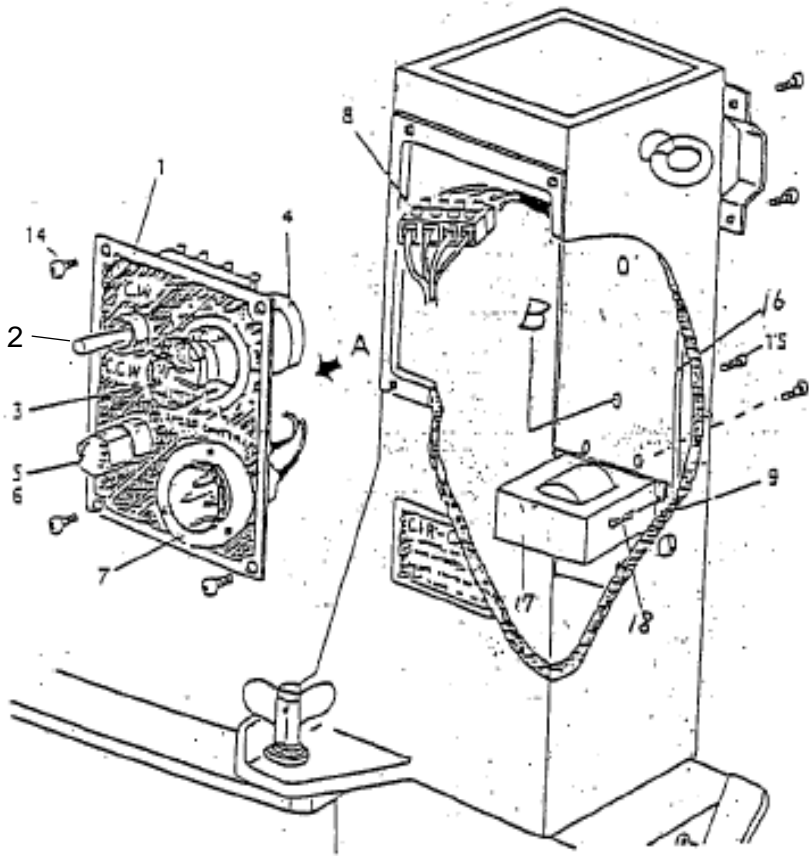
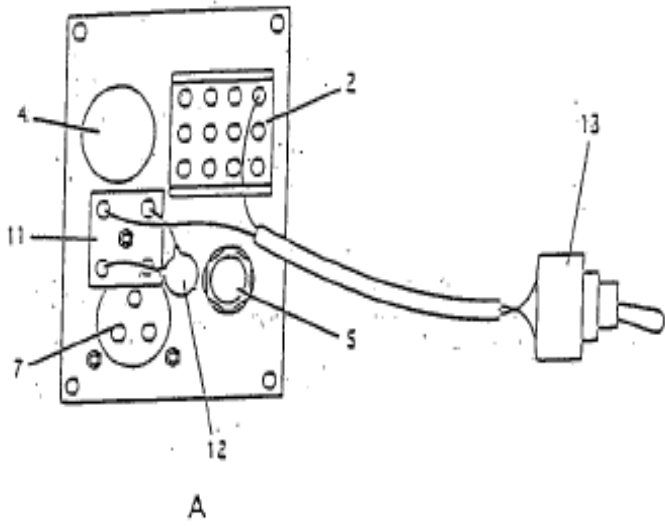
ITEM NUMBER	PART DESCRIPTION	QUANTITY	PART NUMBER	REMARKS
1	GEAR BOX	1	ZS32612	
2	DISTRIBUTOR COVER	1	ZS32622	
3	ADJUSTING SCREW	2	ZS32614	
4	CASING	2	ZS32613	
5	ROTARY DISTRIBUTOR	1	ZS32620	
6	FP RING	3	ZS30922	
7	BEARING	1	ZS31451	6005ZZ
8	WORM WHEEL	1	ZS32617	
9	SLEEVE	1	ZS32615	
10	COLLAR	2	ZS32616	
11	BEARING	1	1138359500	6906ZZ
12	GAS CONDUIT PIPE	1	ZS32623	
13	OYXGEN CONDUIT PIPE	1	ZS32624	
14	MOTOR	1	69000126	DC24V 5000RPM
	100V MOTOR REPLACEMENT KIT	1	61001471	REPLACES 100V MOTOR
15	GEAR	1	ZS32656	
16	BUSH	1	ZS32625	
17	WORM	1	ZS32618	
18	BEARING	1	1138352600	627ZZ
19	WASHER	1	ZS31015	
20	BEARING RETAINER	1	ZS31014	
21	MOTOR COVER	1	ZS32619	
22	GRIP	1	ZS32629	
23	SCREW	11	9968175300	SP-4X15
24	SPRING PIN	1	9968205200	PR-2.5X7
25	SCREW	1	9968174800	SP-4X8
26	SCREW	3	9968174900	SP-4X10
27	STOP RING	1		STW-25
28	SPRING PIN	1	9968204200	PR-2.5X15
29	SCREW	4	9968174700	SP-4X6
30	SCREW	3	9968173700	SP-3X20
31	ROTARY PIPE HOLDER	1	ZS32607	

10.3 Frame



ITEM NUMBER	PART DESCRIPTION	QUANTITY	PART NUMBER	REMARKS
1	MACHINE BASE(I)	1	ZS32627	CIR CUT I
	MACHINE BASE (II)	1	ZS32628	CIR CUT II
2	WING BOLT	2	ZS30315	M-8X20
3	HEAT SHIELD (I)	1	ZS31053	CIR CUT I
	HEAT SHIELD (II)	1	ZS32633	CIR CUT II
4	LEG	2	ZS32630	
5	MAGNET	1	ZS31653	CIR CUT I
6	ELECTRIC MAGNET	1	ZS32652	CIR CUT II
7	BOLT FOR MAGNET	1	ZS32632	CIR CUT II, M-10X25
	BOLT FOR MAGNET	1	ZS31055	CIR CUT I M-12X15
8	HOOK BOLT	1	ZS31654	M6
9	HOSE BRACKET	1	ZS32631	
10	CABTYRE CORD	1	61004264	3P, 5M 100V
11	JET OXYGEN HOSE	1	ZM31107	
12	GAS HOSE	1	ZM31111	
19	SCREW	4	9968175400	SP-4X18
20	SCREW	4	9968174700	SP-4X6
21	WASHER	2	9968148900	WF-8
22	HEXAGON BOLT	2	9968107700	BH-8X35 CIR CUT I
	HEXAGON BOLT	2	9968107900	BH-8X45 CIR CUT II
23	WING NUT	2	9968240500	NB-8

10.4 Electrical



ITEM NUMBER	PART DESCRIPTION	QUANTITY	PART NUMBER	REMARKS
1	CONTROL PANEL	1	ZS32647	
2	SWITCH	1	ZS31458	
3	GRIP	1	ZS31332	
4	VARIABLE RESISTOR	1	ZS30745	
5	FUSE HOLDER	1	ZS30749	
6	FUSE	1	ZS30707	
7	METAL SOCKET	1	ZS30273	3P 100V
	METAL SOCKET	1	ZS30274	4P 200V-240V CIR CUT I
8	TERMINAL	1	ZS31666	2P CIR CUT I
	TERMINAL	1	ZS30656	4P CIR CUT II
11	RECTIFIER	1	ZS32644	CIR CUT II
12	VARISTOR	1	ZS32645	CIR CUT II
13	SWITCH	1	ZS30743	CIR CUT II
14	SCREW	4	9968174800	SP-4X8
15	SCREW	2	9968176300	SP-4X40
16	BRACKET	1		
17	TRANSFORMER	1	61000472	100V-220V CIR CUT I
	TRANSFORMER	1	61000672	230V-240C CIR CUT I
18	SCREW	2	9968172500	SP-3X10
19	SCREW	2	9968172500	SP-3X10
20	ISOLATION WASHER	2	60036374	
21	CONTROLLER	1	69000105	24V MOTOR
		1	ZS30741	120V MOTOR
22	SPACER	2	6R020001	