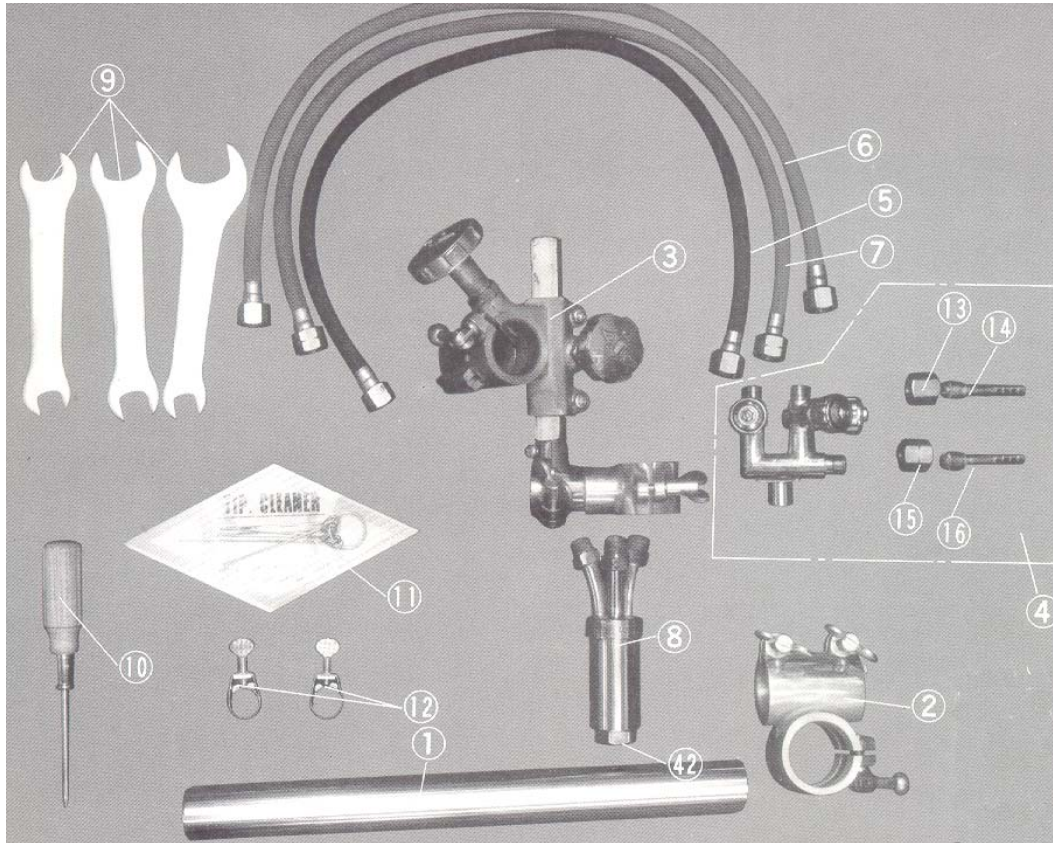
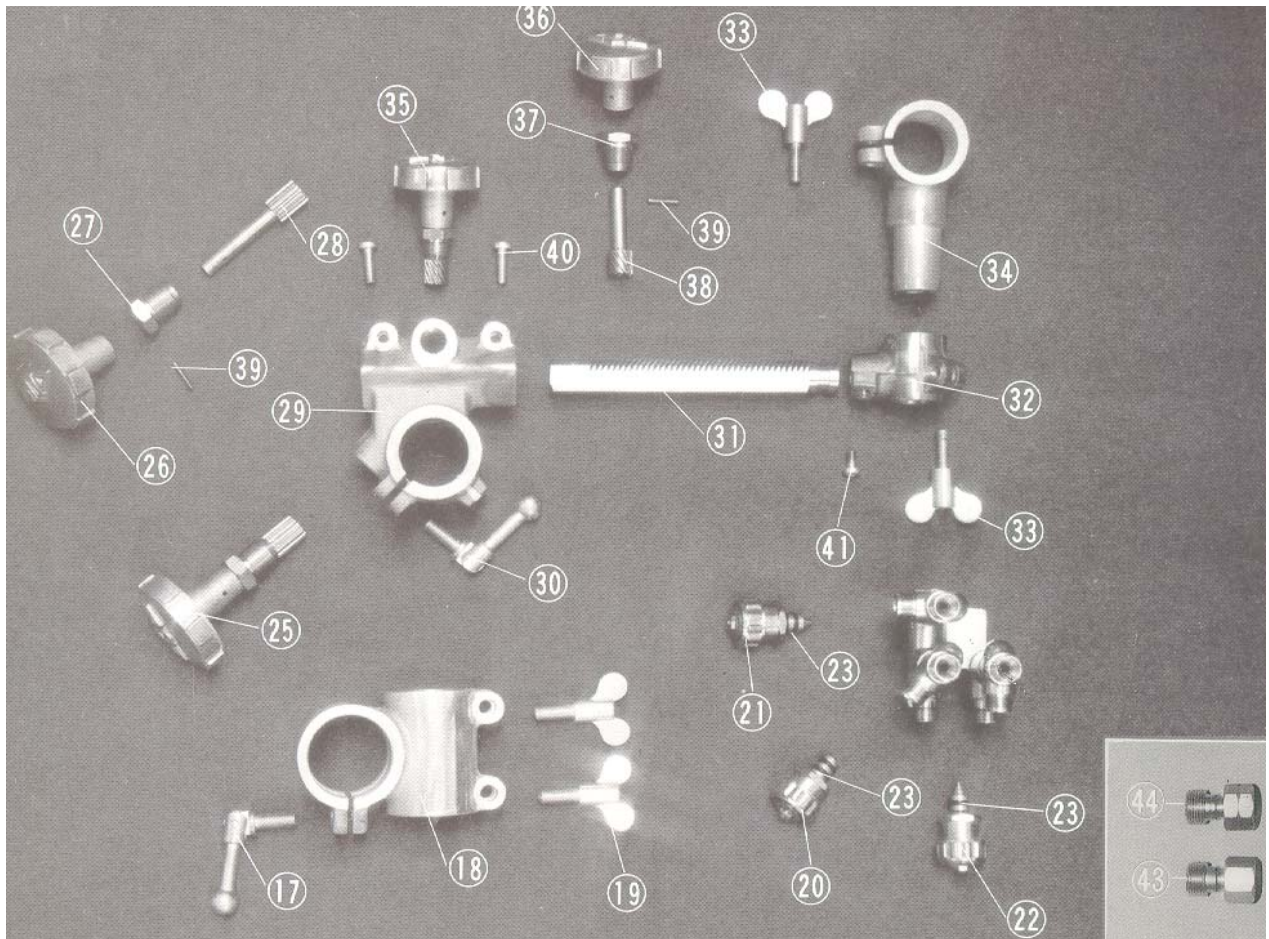


Diagrams and Parts List
IK-12MAX
Torch S-100



Item No	Part Name	Qty	Stock No	Remarks
1	Pipe arm	1	30300	Standard 350mm
2	Bar holder assembly	1	30301	
3	Torch holder (B type)	1	30302	
4	Distributor assembly	1	13201	Except USA
			13202	USA Only
			13205	KE Only
5	Hose for jet oxygen	1	30303	Except USA
			30304	USA Only
			30305	KE Only
6	Hose for preheat oxygen	1	30305	Except USA
			30306	USA Only
7	Hose for gas	1	30307	Except USA
			30308	USA Only
8	Torch	1	10601	Except USA
			10602	USA Only
			10606	KE Only
9	Spanner	1	30309	
10	Screw driver	1	30310	
11	Tip Cleaner	1	30311	
12	Hose band	2	30312	Except USA
13	Nut for oxygen	1	15001	Except USA, KE M16.P1.5
			15056	KE Only
14	Hose connector for oxygen	1	15003	Except USA, KE 5/16
			15040	KE Only
15	Nut for gas	1	15002	Except USA, KE M16.P1.5 Left
			15054	KE Only
16	Hose connector for gas	1	15004	Except USA, KE 3/8
			15062	KE Only



Item No	Part Name	Qty	Stock No	Remarks
17	Crank handle	1	30313	M8
18	Arm holder	1	30314	
19	Wing bolt	2	30315	M8
20	Valve for jet oxygen	1	15251	
21	Valve for preheat oxygen	1	15255	
22	Valve for gas	1	15256	
23	O-Ring		05026	
25	Cross feed handle assembly	1	30316	
26	Handle	1	30317	φ50
27	Pinion metal	1	30318	
28	Pinion	1	30319	
29	Cross feed unit	1	30320	With key
30	Crank handle	1	30313	
31	Slide bar	1	30390	
32	Torch holder bracket	1	30391	
33	Wing bolt	2	30392	
34	Torch holder	1	30393	
35	Up/down handle assembly	1	30394	
36	Handle	1	30223	
37	Pinion metal	1	30395	
38	Pinion	1	30396	
39	Spring pin	2	PR-2.5X16	
40	Screw	2	SP-6X18	
41	Screw	1	SP-5X10	
42	Tip fixing nut	1	05020	
43	Hose joint	1	12917	KE Only
44	Hose joint	1	12904	KE Only

S-100 Torch Set conversion for use with Plasma **IK12 MAX 3**

To convert S100 Torch Set for Plasma Use:

Remove Item #34	ZS30393	Torch Holder
Add	ZM61282	Bushing
To Item #32	ZS30391	Torch Holder Bracket
Add	K866842800	Torch Holder in place of Item #34
	ZS30393	

For S200 conversion to use 1 plasma station:

Remove Item #37	ZS30393	Torch Holder
Add	ZM61282	Bushing
To Item #35	ZS30391	Torch Holder Bracket
Add	0866842800	Torch Holder in place of Item #37
	ZS30393	