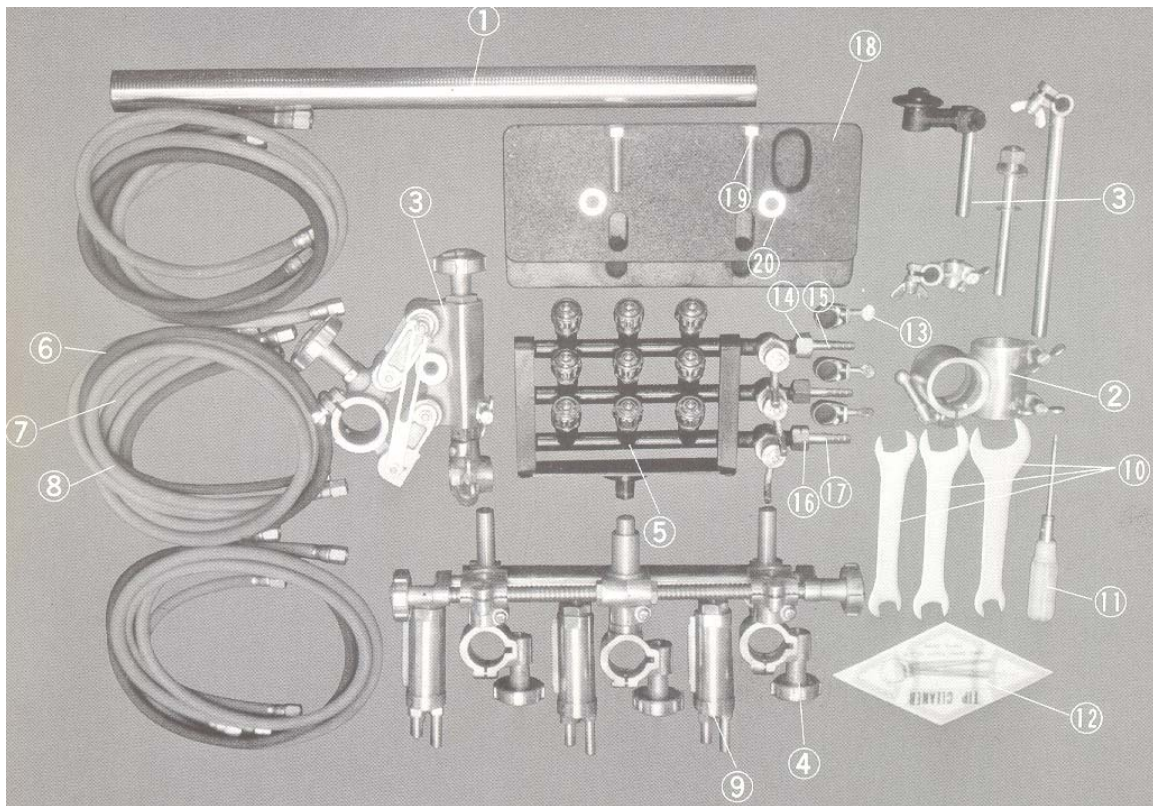


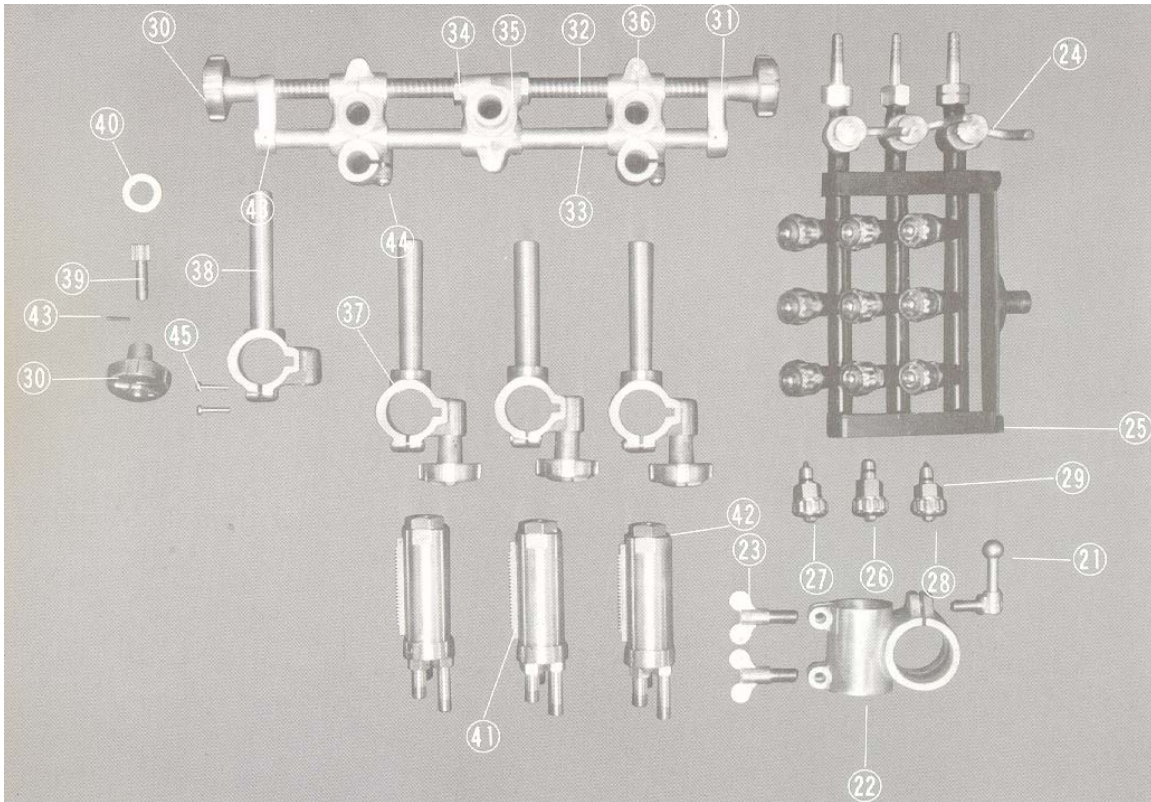
Diagrams and Parts List

IK-12MAX

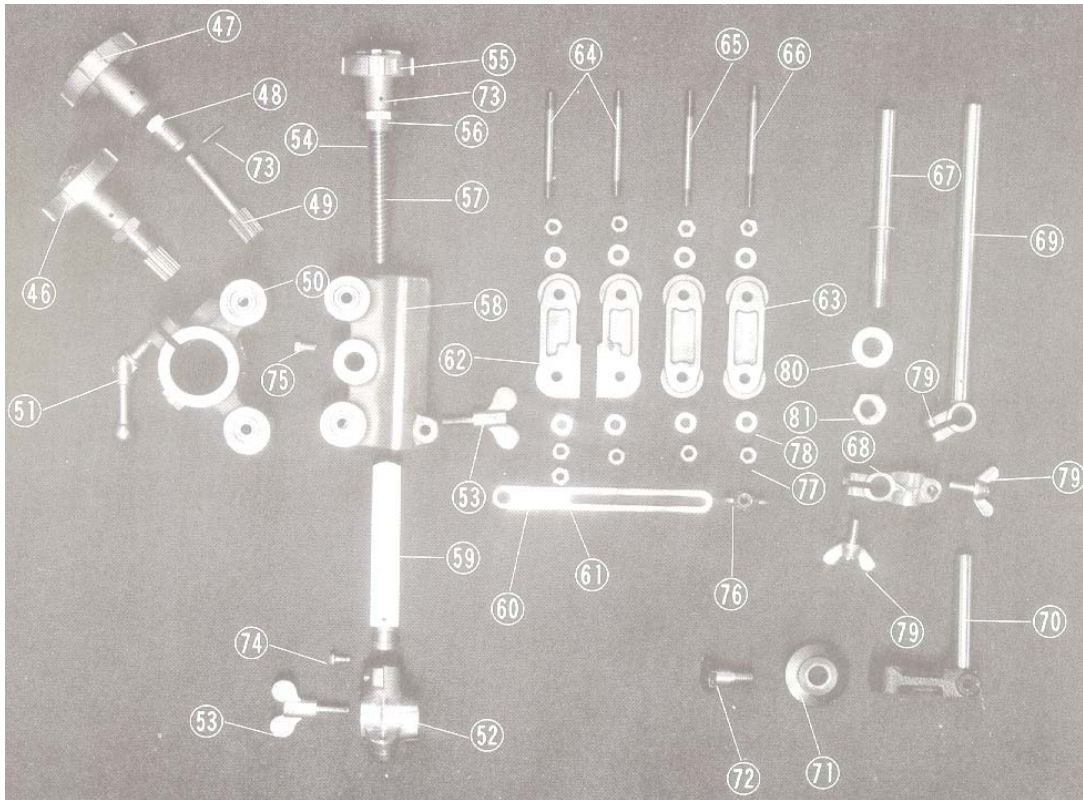
Torch SP-400



Item No	Part Name	Qty	Stock No	Remarks
1	Pipe arm	1	30321	500mm
2	Arm Holder	1	30301	
3	Torch holder (C type)	1	30344	With guide roller
4	X-cutting holder	1	30362	
5	Distributor	1	30387	Except USA
			30388	USA Only
6	Hose for jet oxygen (black)	3	30322	Except USA
			30323	USA Only
7	Hose for pre oxygen (blue)	3	30324	Except USA
			30325	USA Only
8	Hose for gas (red)	3	30326	Except USA
			30327	USA Only
9	Torch	3	10651	Except USA
			10652	USA Only
10	Spanner set	1	30309	
11	Screw driver	1	30310	
12	Tip cleaner	1	30311	
13	Hose band	3	30312	Except USA
14	Nut for oxygen	2	15001	M16.P1.5 Except USA
15	Hose connector	2	15003	5/16" Except USA
16	Nut for gas	1	15002	M16.P1.5.Right Except USA
17	Hose connector	1	15004	3/8" Except USA
18	Weight	2	30346	
19	Hex bolt	2	BH-10X45	M10x45
20	Washer	2	WF-10	φ10



Item No	Part Name	Qty	Stock No	Remarks
21	Crank handle	1	30313	
22	Bar holder	1	30314	
23	Wing bolt	2	30315	
24	Inlet Valve	3	30363	
25	Distributor body	1	30364	Except USA
			30365	USA Only
26	Valve for jet oxygen	3	15114	Old No. 00A01
27	Valve for preheat oxygen	3	15112	Old No. 00B01
28	Valve for gas	3	15113	Old No. 00C01
29	O-Ring		05026	
30	Handle	3	30223	
31	Screw metal	2	30347	
32	Screw	2	30348	
33	Guide bar	1	30366	
34	Bush	2	30350	With nut & washer
35	Torch holder bracket	1	30352	
36	Torch slide base	2	30351	
37	Torch holder assembly	3	30353	
38	Torch holder	3	30355	
39	Pinion	3	30354	
40	Graduation collar	3	30356	With screw
41	Torch rack	3	10653	With screw
42	Tip fixing nut	3	05020	
43	Spring pin	7	PR-2.5X16	φ2.5x16
44	Screw	6	SP-6X18	M6x18
45	Screw	6	SP-4X18	M4x18
		1		



Item No	Part Name	Qty	Stock No	Remarks
46	Cross feed handle assembly	1	30316	
47	Handle	1	30317	
48	Pinion metal	1	30318	
49	Pinion	1	30319	
50	Cross feed holder	1	30329	
51	Crank handle	1	30313	
52	Torch holder bracket	1	30391	
53	Wing bolt	2	30392	
54	Up/down handle assembly	1	30357	
55	Handle	1	30223	
56	Screw metal	1	30358	
57	Screw	1	30359	
58	Up/down holder assembly	1	30360	
59	Slide bar	1	30361	
60	Set plate	1	30331	
61	Hex nut	1	30332	
62	Link arm (A)	2	30333	
63	Link arm (B)	2	30334	
64	Bearing shaft (A)	2	30335	
65	Bearing shaft (B)	1	30336	
66	Bearing shaft (C)	1	30337	
67	Guide roller shaft (A)	1	30338	With stop ring
68	Guide roller holder	1	30339	
69	Guide roller shaft (B)	1	30340	
70	Guide roller shaft assembly	1	30341	
71	Guide roller	1	30342	
72	Roller nut	1	30343	
73	Spring pin	2	PR-2.5X16	φ2.5x16
74	Screw	1	SP-6X14	M6x14
75	Hex bolt	1	BH-6X12	M6x12
76	Wing nut	1	NB-6	M6
77	Hex nut	8	NH-6	M6
78	Washer	8	WF-6	φ6
79	Wing bolt	3	BS-6X16	M6x16
80	Washer	1	WF-12	φ12
81	Hex nut	1	NH-12	M12