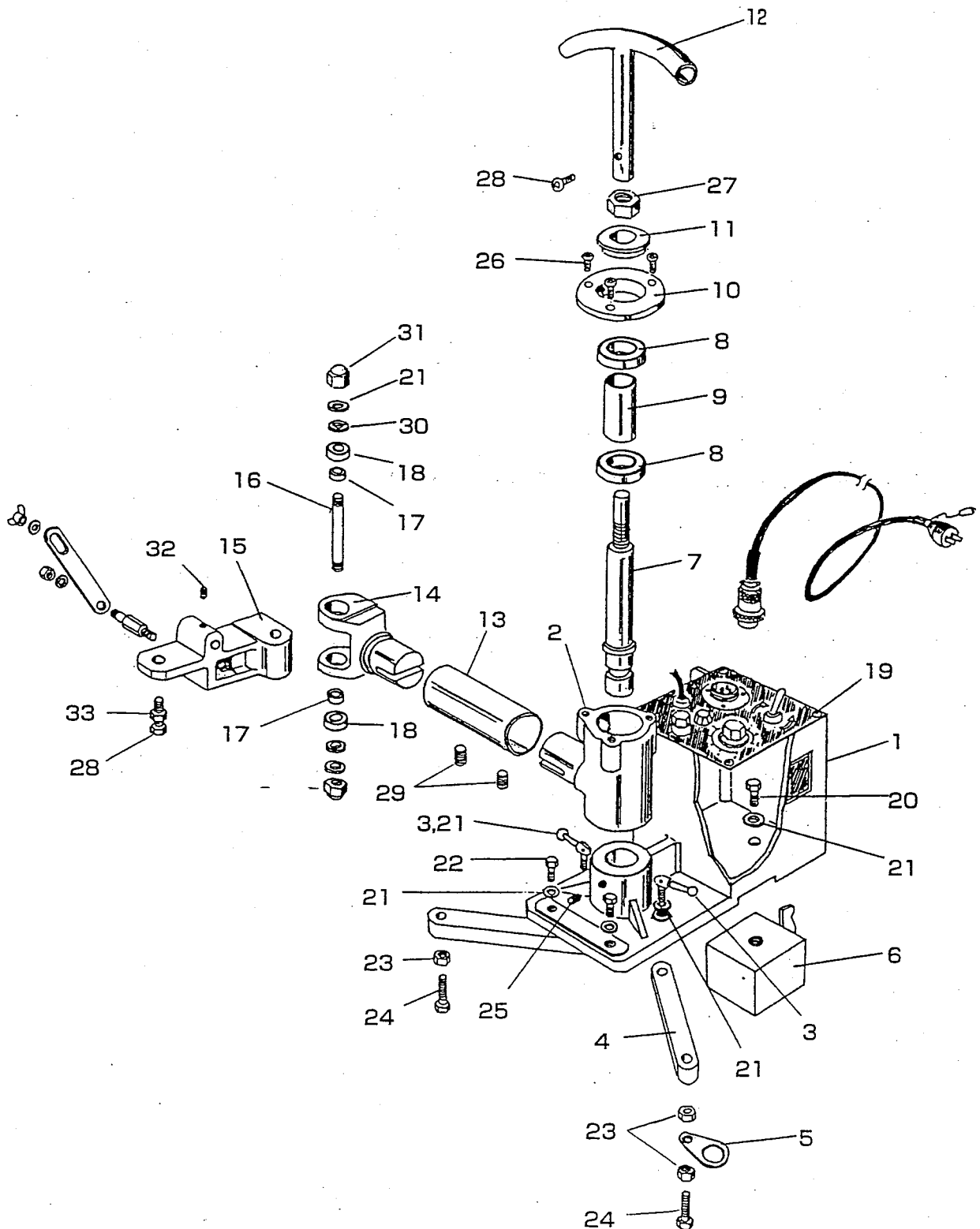


10 Parts List

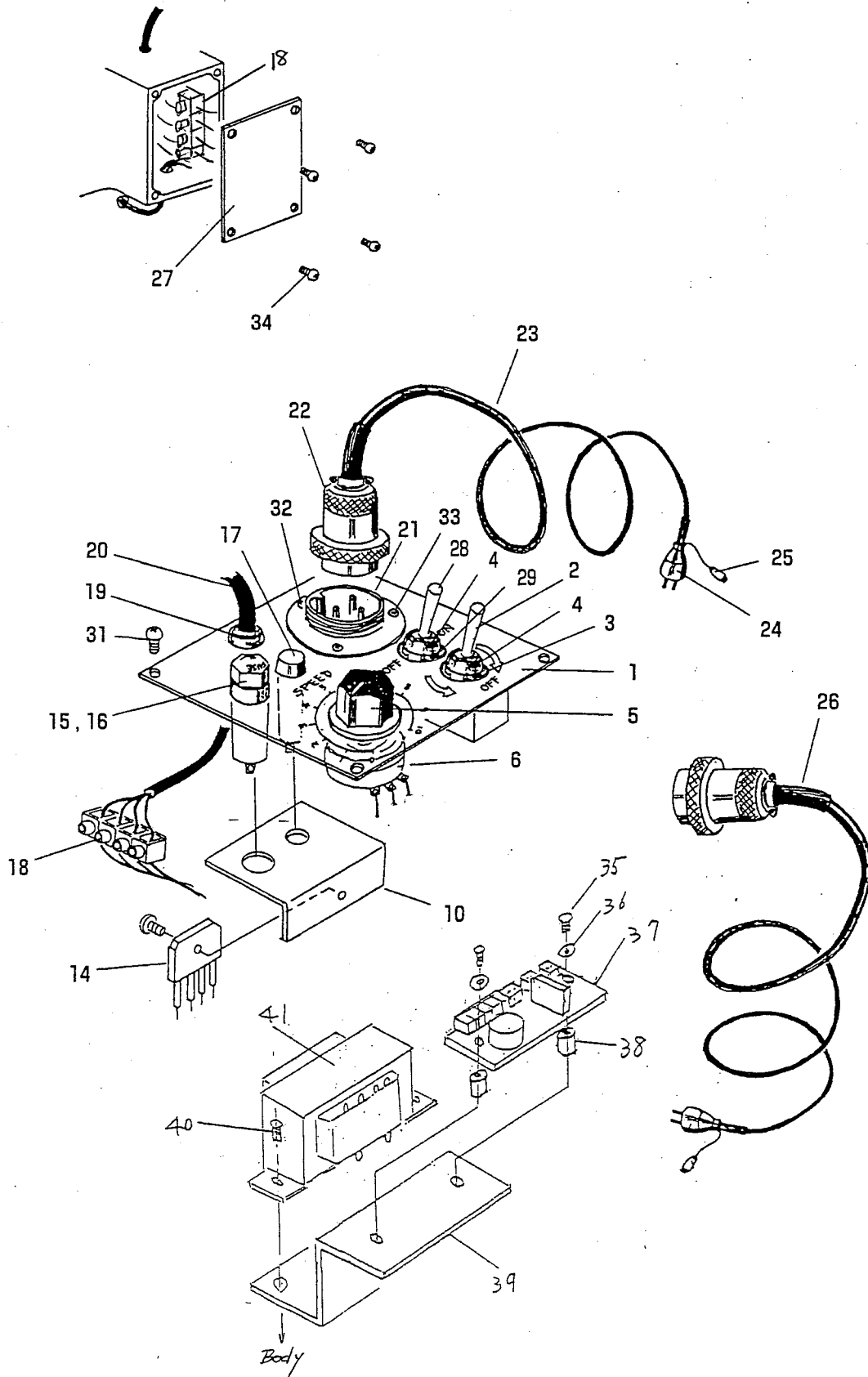
10.1 Main Unit



Main Unit

ITEM NO.	PART NAME	QTY	STOCK NO.	REMARKS
1	Body	1	60033500	
2	Hinge	1	60033501	
3	Clank handle	2	60032211	M8×25
4	Leg	2	60033511	
5	Arm set plate	1	60031729	
6	Magnet	1	60031063	50kg
7	Shaft	1	60033506	
8	Bearing	2	60033513	6904ZZ
9	Collar	1	60033505	
10	Bearing retainer(A)	1	60033503	
11	Bearing retainer(B)	1	60033504	
12	Hand grip	1	60031723	
13	Pipe	1	60033512	
14	Hinge(1)	1	60033502	
15	Arm	1	60033509	
16	Shaft	1	60033507	
17	Collar	2	60033508	
18	Bearing	2	60031034	628ZZ
19	Screw	4	SP-4×8	M4×8
20	Magnet set bolt	1	60031064	
21	Washer	7	_WF-8	
22	Hexagon bolt	2	BH-8×30	M8×30
23	Nut	4	NL-8	
24	Hexagon bolt	2	BH-8×40	M8×40
25	Screw	1	SS-8×15	M8×15
26	Screw	3	SP-5×10	M5×10
27	Nut	1	NH-12	
28	Screw	1	SP-4×15	M4×15
29	Screw	2	SS-10×20	M10×20
30	Washer	2	WS-8	
31	Nut	2	NHC-8	
32	Screw	1	SP-4×10	M4×10
33	Hexagon bolt	1	BH-8×20	

10.2 Control Panel

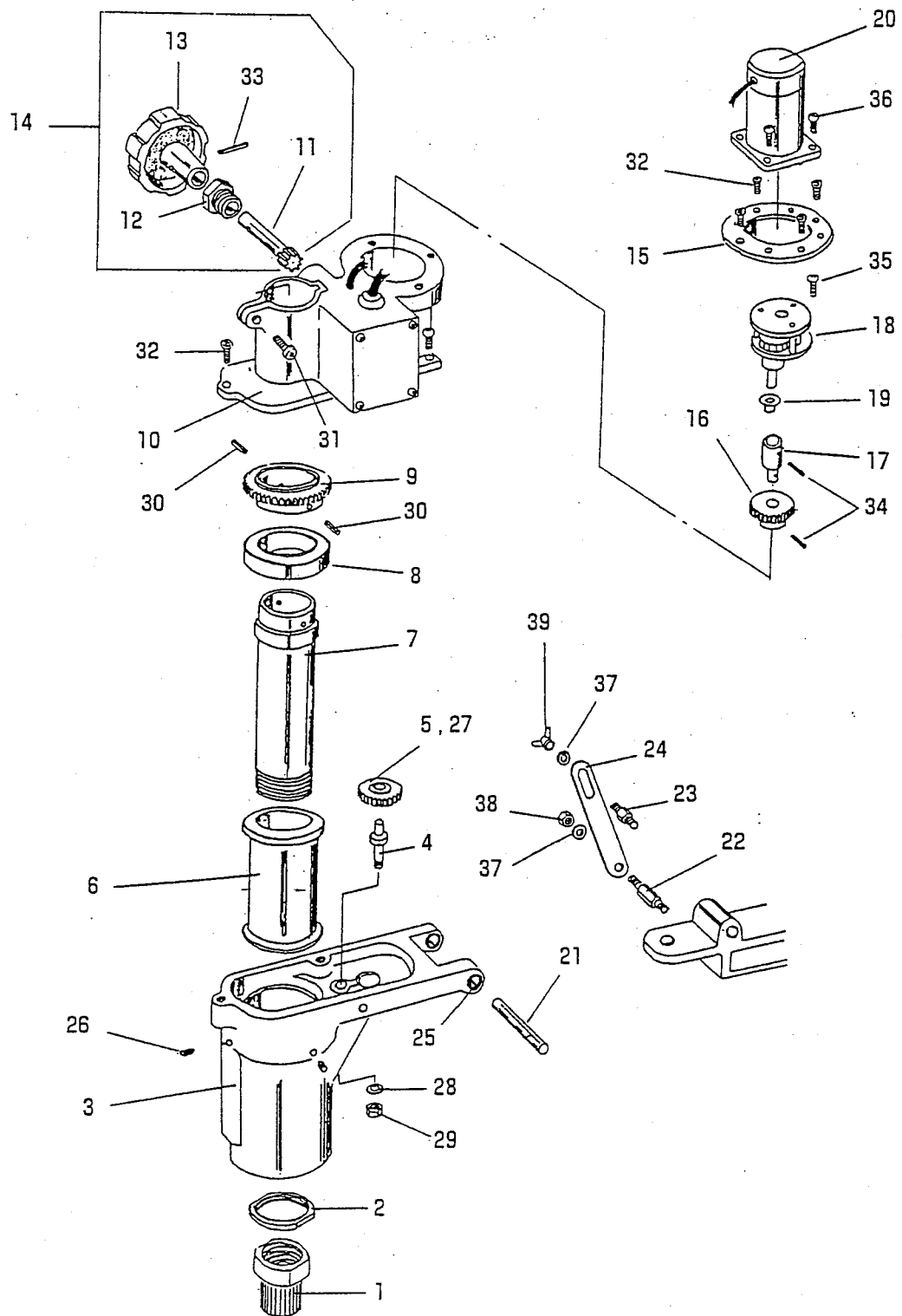


Control Panel

ITEM NO.	PART NAME	QTY	STOCK NO.	REMARKS
1	Control panel	1	60033463	
	Control panel	1	60033473	42V KE only
2	Switch	1	60035226	S-333
3	Nut for dust protector	1	60032480	
4	Cap for dust protector	2	60032431	
5	Handle	1	60031249	
6	Variable resistor	1	6N310008	
7				
8				
9				
10				
11				
12				
13				
14	Rectifire	1	60033526	5B2
15	Fuse holder	1	60030749	
16	Fuse	1	60030707	1A
17	Lamp	1	60033525	
	Lamp	1	60035062	42V KE Only
	Lamp holder	1	60030746	42V KE Only
18	Terminal	2	60030656	4P
21	Metal socket	1	60030273	
22	Metal plug	1	60030275	
23	Cabtyre cord	1	60030278	(3P)
24	Rubber plug	1	60030279	
25	Earth clip	1	60030295	
26	Cabtyre cord assembly	1	60030201	
27	Cover plate	1	60033470	
28	Switch	1	60030743	DS-140
29	Nut for dust protector	1	60035017	
30				
31	Screw	4	SP-4×8	M4×8

ITEM NO.	PART NAME	QTY	STOCK NO.	REMARKS
32	Screw	1	SM-3×12	M3×12 With Nut
33	Screw	2	SM-3×6	M3×6
34	Screw	4	SP-3×6	M3×6
35	Screw	2		M3×10
36	Isolation washer	2	60036374	
37	Com troller	1	69000130	
38	Spacer	2	6R020001	
39	Bracket	1	61001498	
40	Screw	2		M3×10
41	Transformer	1	61000472	For 100V
			61000473	For 42V
19	Bush	1	60032575	5c
20	Cabtyre cord	1	60033533	5c

10.3 Tracer Head

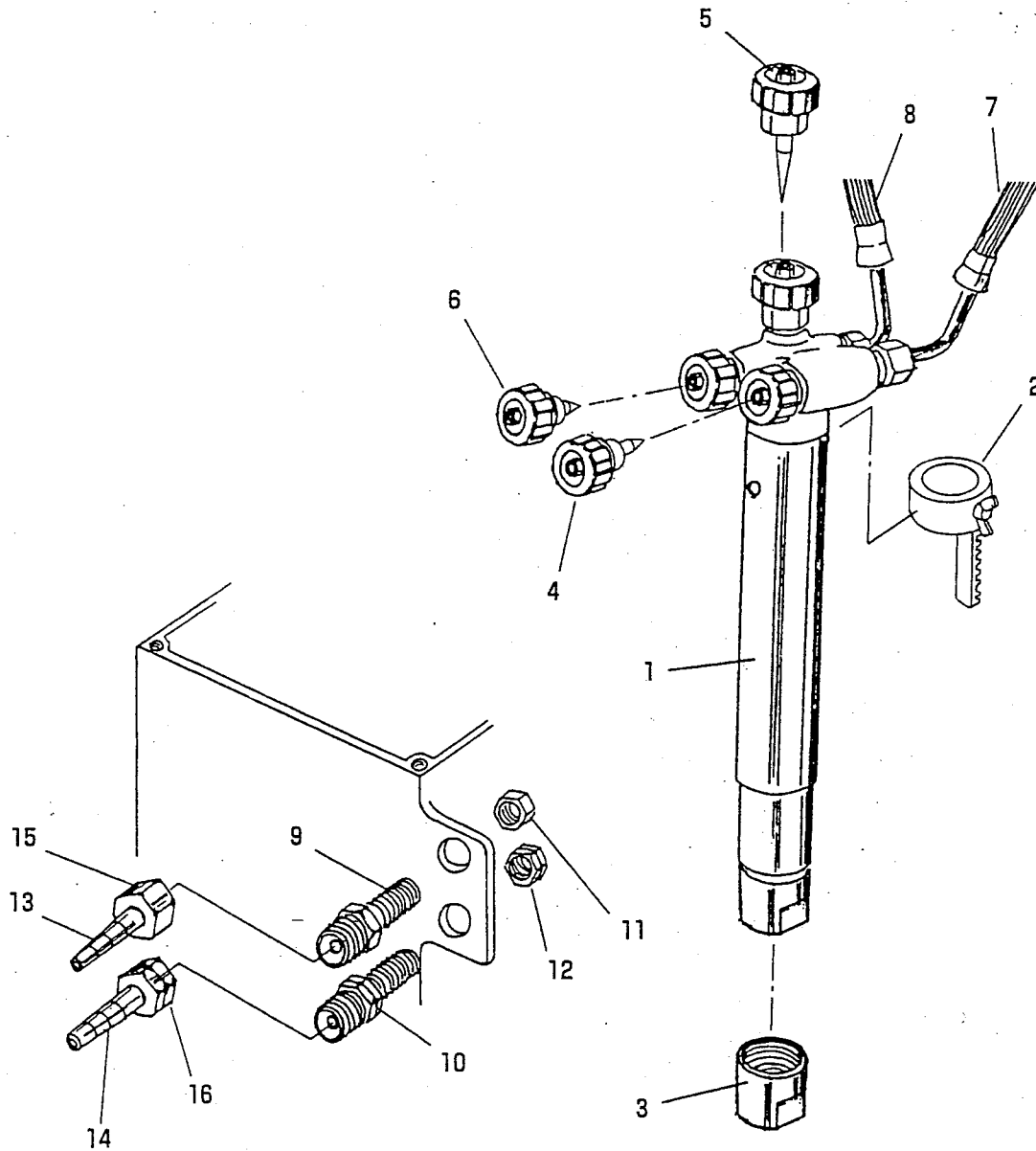


Tracer Head

ITEM NO.	PART NAME	QTY	STOCK NO.	REMARKS
1	Magnet roller	1	60033520	φ 25
2	Nut	1	60033515	
3	Magnet case	1	60033546	With DU Bush
4	Idle gear shaft	1	60031704	
5	No.2 gear	1	60031705	With DU Bush
6	Magnet	1	60033518	Except KE
	Magnet	1	60033475	42V
7	Shaft	1	60033514	
8	Bearing	1	60031743	6906ZZ
9	No.3 gear	1	60031703	
10	Tracer body	1	60033547	
11	Pinion(A)	1	60030910	
12	Pinion metal (A)	1	60030909	
13	Handle	1	60030223	φ 40
14	Pinion assembly	1	60030908	
15	Motor set plate	1	61001497	
16	No.1 gear	1	60031746	
17	Motor shaft	1	60033517	
18	Gear	1	64000061	1/80
19	Bush	1	60032467	
20	Motor (DC24V)	1	69000124	500R.P.M
21	Arm shaft	1	60031717	
22	Link arm shaft (A)	1	60031916	
23	Link arm shaft (B)	1	60031918	
24	Link arm	1	60033519	
25	DU bush	2	6D700610	MB0610DU
26	Enamel screw	3	SS-4×6	M4×6
27	DU bush	1	6D700606	MB0606DU
28	Washer	1	WS-5	
29	Nut	1	NH-5	
30	Spring pin	3	PR-2×5	

ITEM NO.	PART NAME	QTY	STOCK NO.	REMARKS
31	Screw	1	SR-5×12	M5×12
32	Screw	8	SR-4×12	M4x12semus
33	Spring pin	1	PR-2.5×16	
34	Spring pin	2	PR-2×12	
35	Screw	3	SR-2×25	M2×25
36	Screw	4	SR-4×10	M4×10
37	Washer	2	WF-6	
38	Nut	1	NH-6	
39	Wing nut	1	NB-6	M6

10.4 Torch



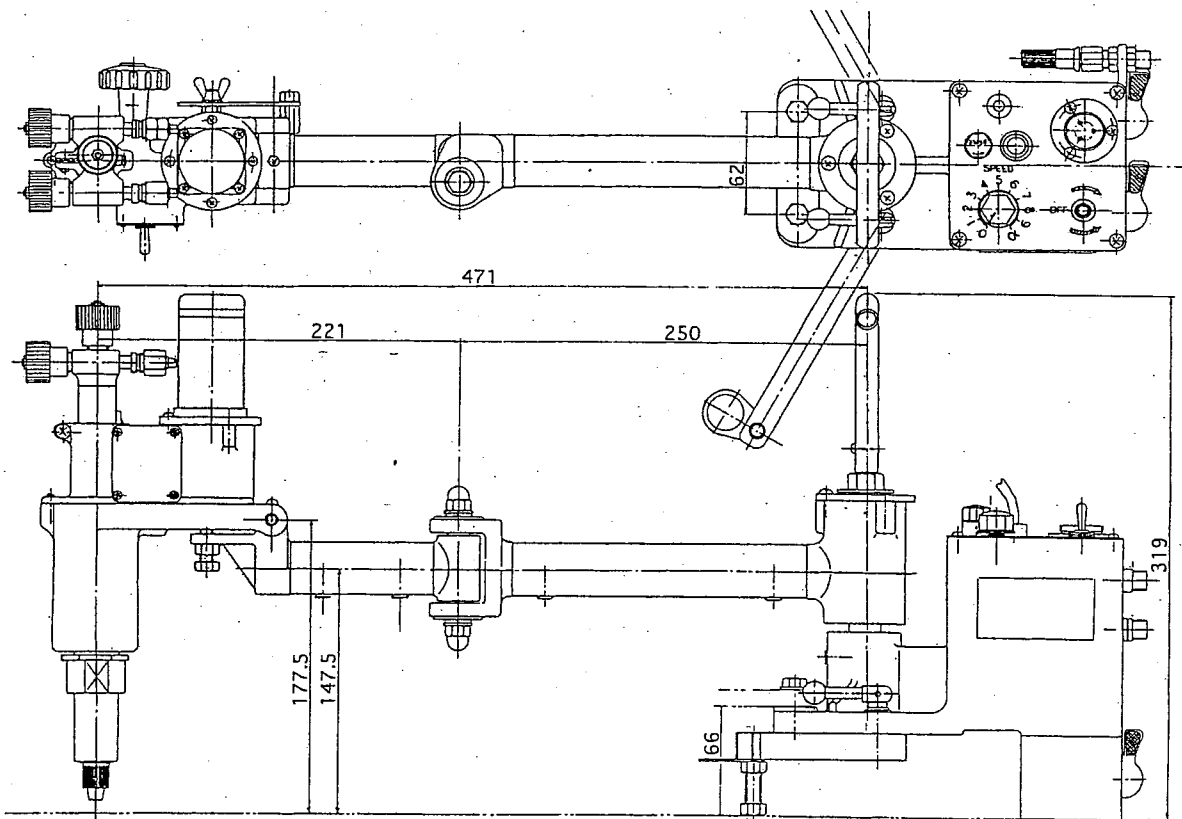
Torch

ITEM NO.	PART NAME	QTY	STOCK NO.	REMARKS
1	Torch (AC)	1	60010115	Except USA,KE
	Torch (AC)	1	60010117	USA Only
	Torch (AC)	1	60010119	KE Only
	Torch (LPG)	1	60010116	Except USA,KE
	Torch (LPG)	1	60010118	USA Only
	Torch (LPG)	1	60010120	KE Only
2	Rack for torch		60033495	With wing bolt
3	Tip fixing nut	1	60010006	
4	Valve for jet oxygen	1	60015354	Except KE
	Valve for jet oxygen	1	60015358	KE Only
5	Valve for preheat oxygen	1	60015102	Except KE (AC)
	Valve for preheat oxygen	1	60015119	KE Only (AC)
	Valve for preheat oxygen	1	60015106	Except KE (LPG)
	Valve for preheat oxygen	1	60015120	KE Only (LPG)
6	Valve for gas (AC)	1	60015356	Except KE
	Valve for gas (LPG)	1	60015357	
7	Hose for oxygen	1	60033523	Except USA,KE
	Hose for oxygen	1	60033539	USA Only
	Hose for oxygen	1	60033477	KE Only
8	Hose for gas	1	60033524	Except USA
	Hose for gas	1	60033540	USA Only
9	Nipple for oxygen	1	60031508	Except USA
	Nipple for oxygen	1	60031509	USA Only
10	Nipple for gas	1	60031510	Except USA
	Nipple for gas	1	60031511	USA Only
11	Nut for oxygen	1	60031512	Except USA
	Nut for oxygen	1	60030760	USA Only
12	Nut for gas	1	60031514	Except USA
	Nut for gas	1	60030762	USA Only
13	Hose connector (OX)	1	60015003	Except USA, KE
	Hose connector (OX)	1	60015040	KE Only

ITEM NO.	PART NAME	QTY	STOCK NO.	REMARKS
14	Hose connector (GAS)	1	60015004	Except USA, KE
	Hose connector (GAS)	1	60015062	KE Only
15	Nut for oxygen	1	60015001	Except USA, KE
	Nut for oxygen	1	60015056	KE Only
16	Nut for gas	1	60015002	Except USA, KE
	Nut for gas	1	60015054	KE Only

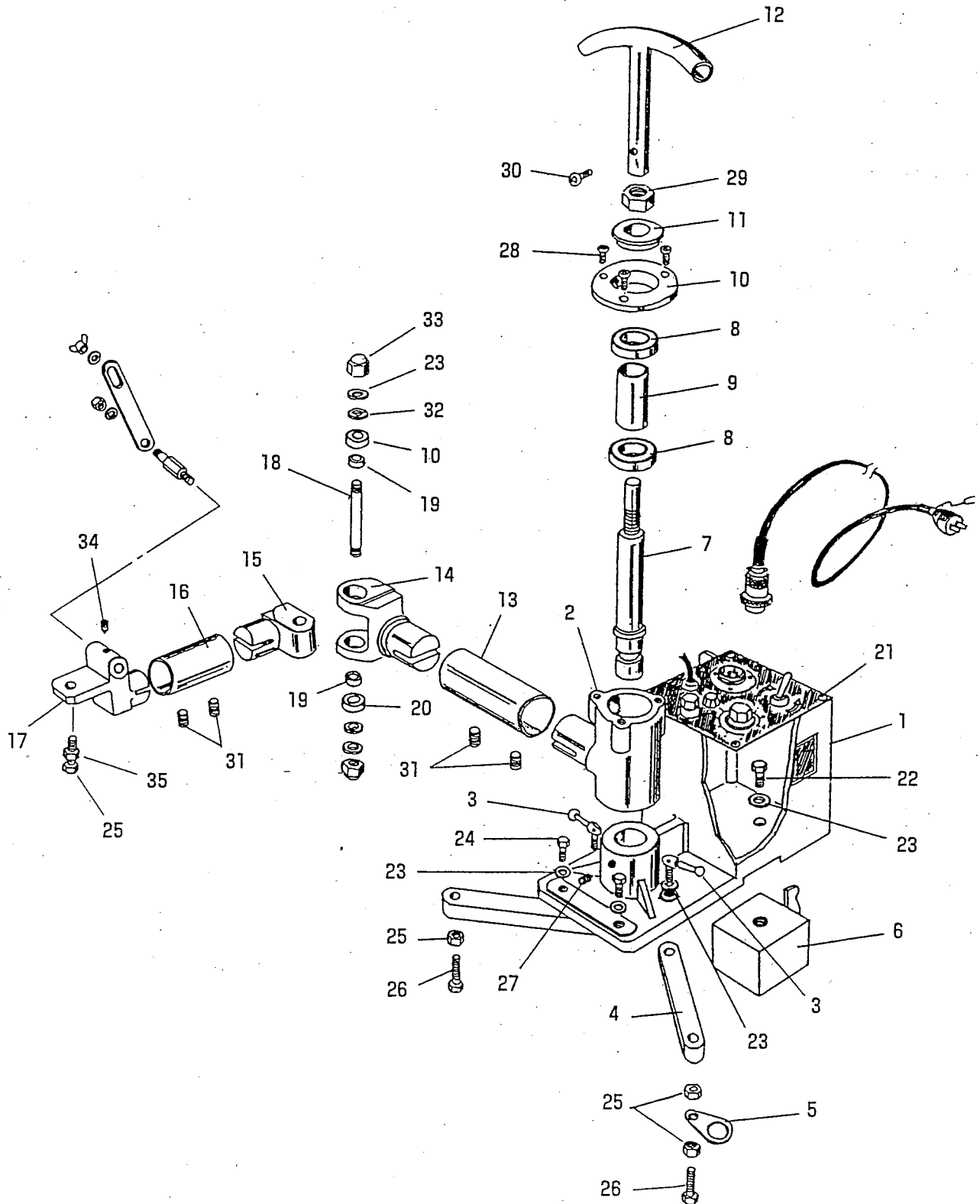
8 Wiring diagram

9 Assembly drawing of IK-82 M-300



10 Parts List

10.1 Main Unit

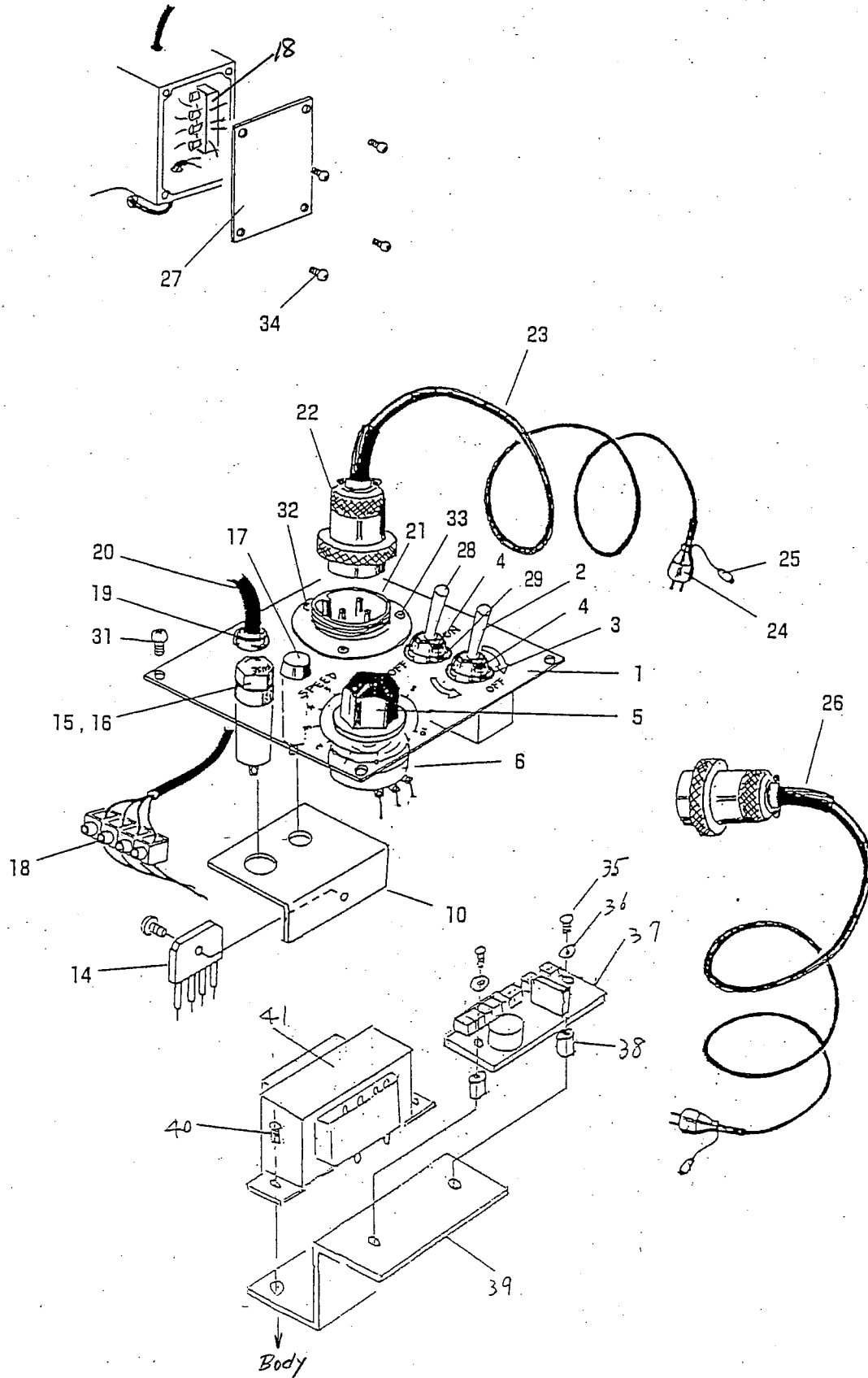


Main Unit

ITEM NO.	PART NAME	QTY	STOCK NO.	REMARKS
1	Body	1	60033500	
2	Hinge	1	60033501	
3	Clank handle	2	60032211	M8×25
4	Leg	2	60031464	
5	Arm set plate	1	60031729	
6	Magnet	2	60031063	50kg
7	Saft	1	60033506	
8	Bearing	2	60033513	6904ZZ
9	Collar	1	60033505	
10	Bearing retainer(A)	1	60033503	
11	Bearing retainer(B)	1	60033504	
12	Hand grip	1	60031723	
13	Pipe	1	60031462	
14	Hinge(1)	1	60033502	
15	Hinge(2)	1	60031460	
16	Pipe	1	60031463	
17	Hinge	1	60031461	
18	Shaft	1	60033507	
19	Collar	2	60033508	
20	Bearing	2	60031034	628ZZ
21	Screw(SP-4×8)	4	6C520408	M4×8
22	Magnet set bolt	2	60031448	
23	Washer(WF-8)	8	6D500050	
24	Hexagon bolt(BH-8×30)	2	6C010830	M8×30
25	Nut(NL-8)	4	6D410080	
26	Hexagon bolt(BH-8×40)	2	6C010840	M8×40
27	Screw(SS-8×15)	1	6C540815	M8×15
28	Screw(SP-5×10)	3	6C520510	M5×10
29	Nut(NH-12)	1	6D010120	
30	Screw(SP-4×15)	1	6C520415	M4×15
31	Screw(SS-10×20)	4	6C541020	M10×20
32	Washer(WS-8)	2	6D510050	

ITEM NO.	PART NAME	QTY	STOCK NO.	REMARKS
33	Nut(NHC-8)	2	6D040080	
34	Screw(SP-4×8)	1	6C520408	
35	Hexagon bolt(BH-8×20)	1	6C010820	

10.2 Control Panel

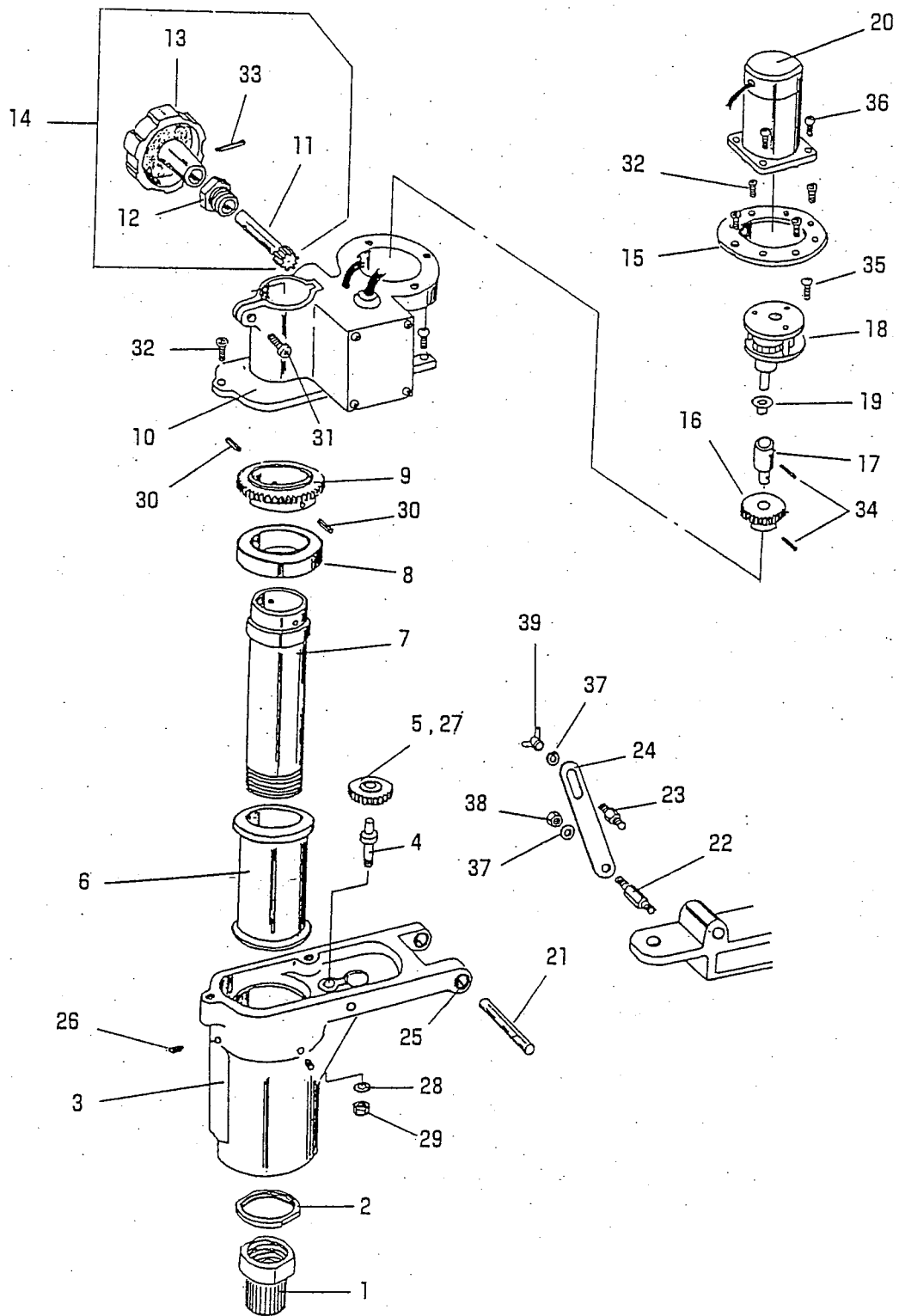


Control Panel

ITEM NO.	PART NAME	QTY	STOCK NO.	REMARKS
1	Control panel	1	60033463	
	Control panel	1	60033473	42V KE only
2	Switch	1	60035226	S-333
3	Nut for dust protector	1	60032480	
4	Cap for dust protector	2	60032431	
5	Handle	1	60031249	
6	Variable resistor	1	6N310008	
7				
8				
9				
10				
11				
12				
13				
14	Rectifire	1	60033526	5B2
15	Fuse holder	1	60030749	
16	Fuse	1	60030707	1A
17	Lamp	1	60033525	
	Lamp	1	60035062	42V KE Only
	Lamp holder	1	60030746	42V KE Only
18	Terminal	2	60030656	4P
21	Metal socket	1	60030273	
22	Metal plug	1	60030275	
23	Cabtyre cord	1	60030278	(3P)
24	Rubber plug	1	60030279	
25	Earth clip	1	60030295	
26	Cabtyre cord assembly	1	60030201	
27	Cover plate	1	60033470	
28	Switch	1	60030743	DS-140
29	Nut for dust protector	1	60035017	
30				
31	Screw	4	SP-4×8	M4×8

ITEM NO.	PART NAME	QTY	STOCK NO.	REMARKS
32	Screw	1	SM-3×12	M3×12 With Nut
33	Screw	2	SM-3×6	M3×6
34	Screw	4	SP-3×6	M3×6
35	Screw	2		M3×10
36	Isolation washer	2	60036374	
37	Com troller	1	69000130	
38	Spacer	2	60020001	
39	Bracket	1	61001498	
40	Screw	2		M3×10
41	Transformer	1	61000472	For 100V...
			61000473	For 42V
19	Bush	1	60032575	
20	Cabtyre cord	1	60033533	5C

10.3 Tracer Head

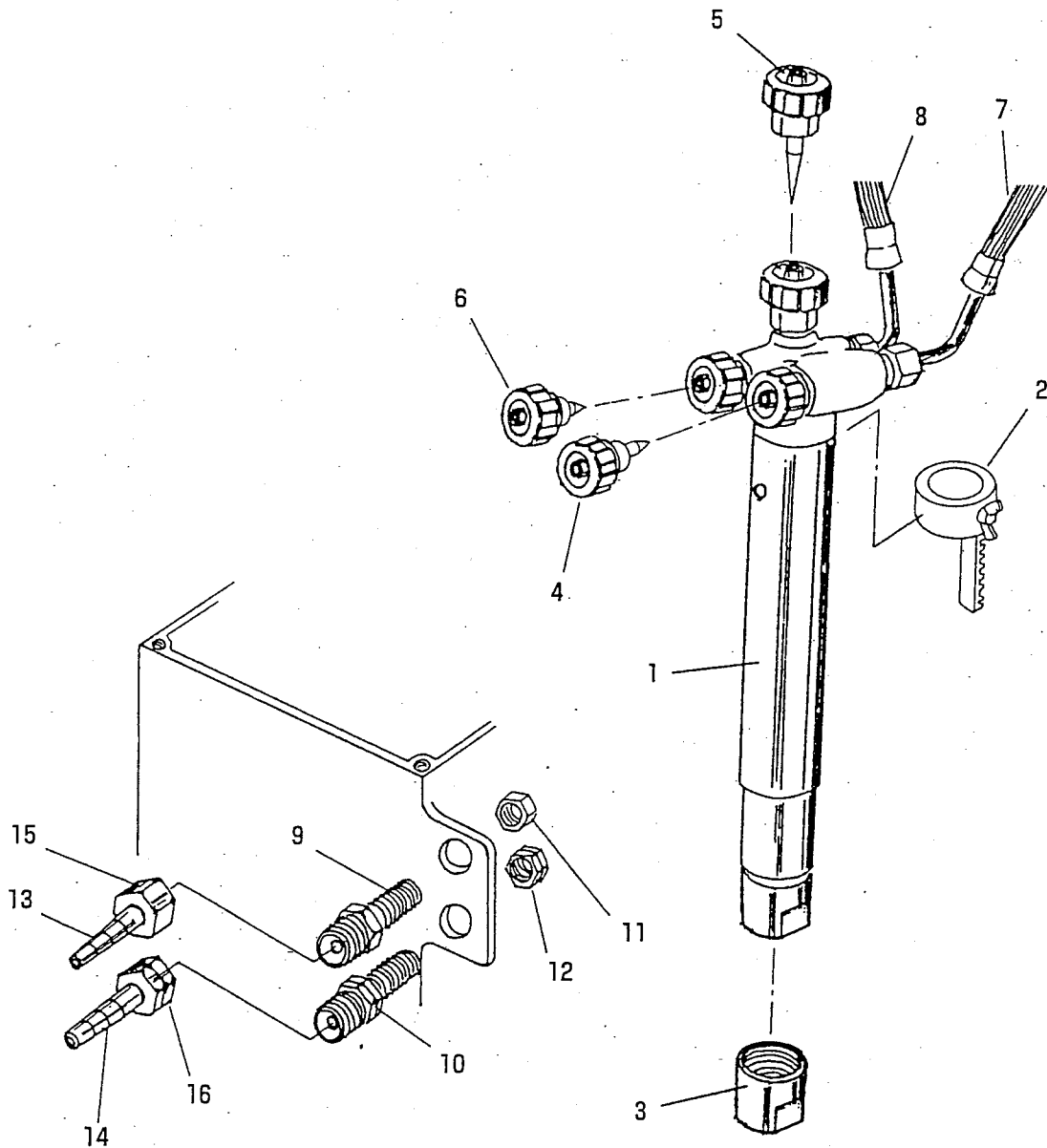


Tracer Head

ITEM NO.	PART NAME	QTY	STOCK NO.	REMARKS
1	Magnet roller	1	60031465	φ 16
2	Nut	1	60033515	
3	Magnet case	1	60033546	With DU Bush
4	Idle gear shaft	1	60031704	
5	No.2 gear	1	60031705	With DU Bush
6	Magnet	1	60033518	Except KE
	Magnet	1	60033475	42V
7	Shaft	1	60033514	
8	Bearing	1	60031743	6906ZZ
9	No.3 gear	1	60031703	
10	Tracer body	1	60033547	
11	Pinion(A)	1	60030910	
12	Pinion metal (A)	1	60030909	
13	Handle	1	60030223	φ 40
14	Pinion assembly	1	60030908	
15	Motor set plate	1	61001497	
16	No.1 gear	1	60031746	
17	Motor shaft	1	60033517	
18	Gear	1	64000061	1/80
19	Bush	1	60032625	
20	Motor (DC24V)	1	69000124	5000R.P.M
21	Arm shaft	1	60031717	
22	Link arm shaft (A)	1	60031916	
23	Link arm shaft (B)	1	60031918	
24	Link arm	1	60033519	
25	DU bush	2	6D700610	MB0610DU
26	Enamel screw(SS-4×6)	3	6C540406	M4×6
27	DU bush	1	6D700606	MB0606DU
28	Washer(WS-5)	1	6D510050	
29	Nut(NH-5)	1	6D010050	
30	Spring pin(PR-2×5)	3	6B020205	

ITEM NO.	PART NAME	QTY	STOCK NO.	REMARKS
31	Screw(SP-5×12)	1	6C650512	M5×12
32	Screw(SP-4×12)	8	6C650412	M4×12 semus
33	Spring pin(PR-2.5×16)	1	6B022516	
34	Spring pin(PR-2×12)	2	6B022012	
35	Screw(SP-2×25)	3	6C650225	M2×25
36	Screw(SP-4×10)	4	6C650410	M4×10
37	Washer(WF-6)	2	6D500060	
38	Nut(NH-6)	1	6D010060	
39	Wing nut(NB-6)	1	6D080060	M6

10.4 Torch



Torch

ITEM NO.	PART NAME	QTY	STOCK NO.	REMARKS
1	Torch (AC)	1	60010115	Except USA,KE
	Torch (AC)	1	60010117	USA Only
	Torch (AC)	1	60010119	KE Only
	Torch (LPG)	1	60010116	Except USA,KE
	Torch (LPG)	1	60010118	USA Only
	Torch (LPG)	1	60010120	KE Only
2	Rack for torch		60033495	With wing bolt
3	Tip fixing nut	1	60010006	
4	Valve for jet oxygen	1	60015354	Except KE
	Valve for jet oxygen	1	60015358	KE Only
5	Valve for preheat oxygen	1	60015102	Except KE (AC)
	Valve for preheat oxygen	1	60015358	KE Only (AC)
	Valve for preheat oxygen	1	60015106	Except KE (LPG)
	Valve for preheat oxygen	1	60015358	KE Only (LPG)
6	Valve for gas (AC)	1	60015356	Except KE
	Valve for gas (LPG)	1	60015357	
7	Hose for oxygen	1	60031466	Except USA,KE
	Hose for oxygen	1	60031469	USA Only
	Hose for oxygen	1	60033476	KE Only
8	Hose for gas	1	60031467	Except USA
	Hose for gas	1	60031470	USA Only
9	Nipple for oxigen	1	60031508	Except USA
	Nipple for oxigen	1	60031509	USA Only
10	Nipple for gas	1	60031510	Except USA
	Nipple for gas	1	60031511	USA Only
11	Nut for oxygen	1	60031512	Except USA
	Nut for oxygen	1	60030760	USA Only
12	Nut for gas	1	60031514	Except USA
	Nut for gas	1	60030762	USA Only
13	Hose connector (OX)	1	60015003	Except USA,KE
	Hose connector (OX)	1	60015040	KE Only

ITEM NO.	PART NAME	QTY	STOCK NO.	REMARKS
14	Hose connector (GAS)	1	60015004	Except USA,KE
	Hose connector (GAS)	1	60015062	KE Only
15	Nut for oxygen	1	60015001	Except USA,KE
	Nut for oxygen	1	60015056	KE Only
16	Nut for gas	1	60015002	Except USA,KE
	Nut for gas	1	60015054	KE Only