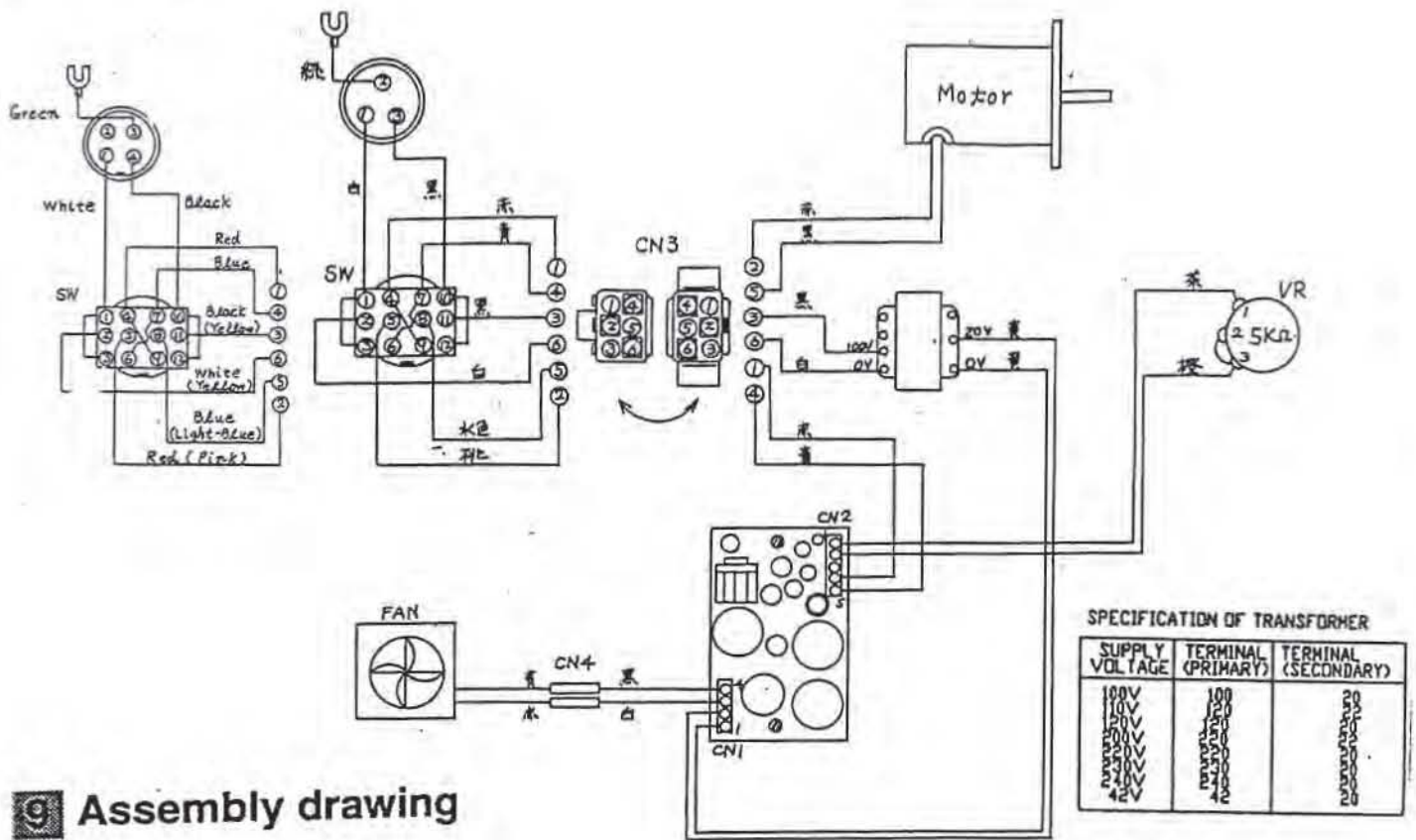
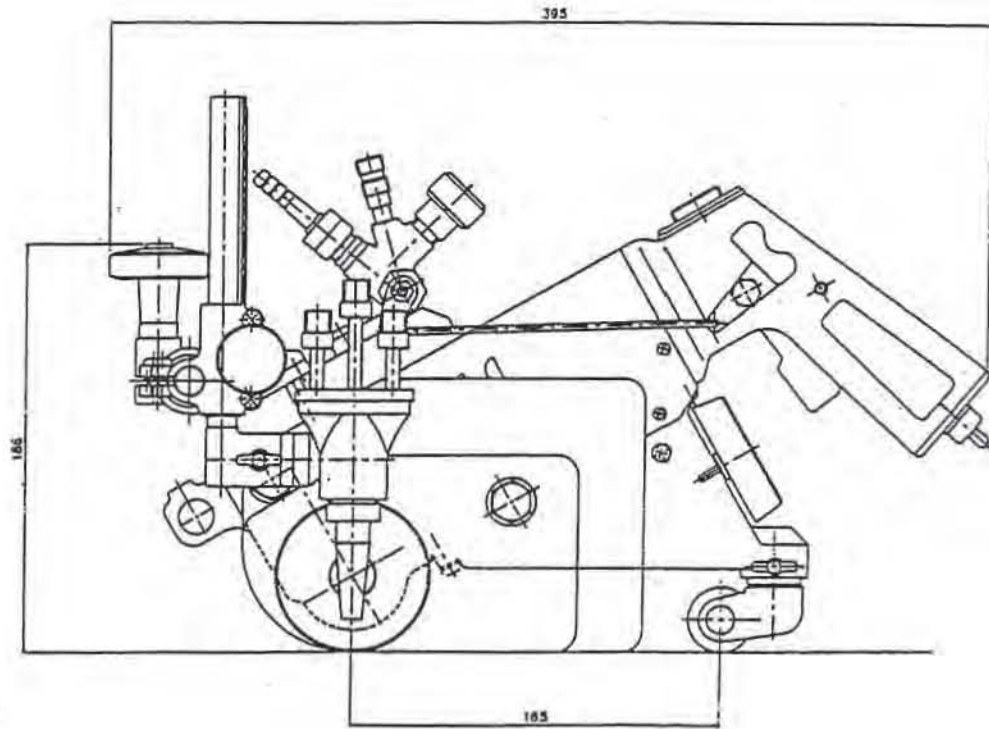
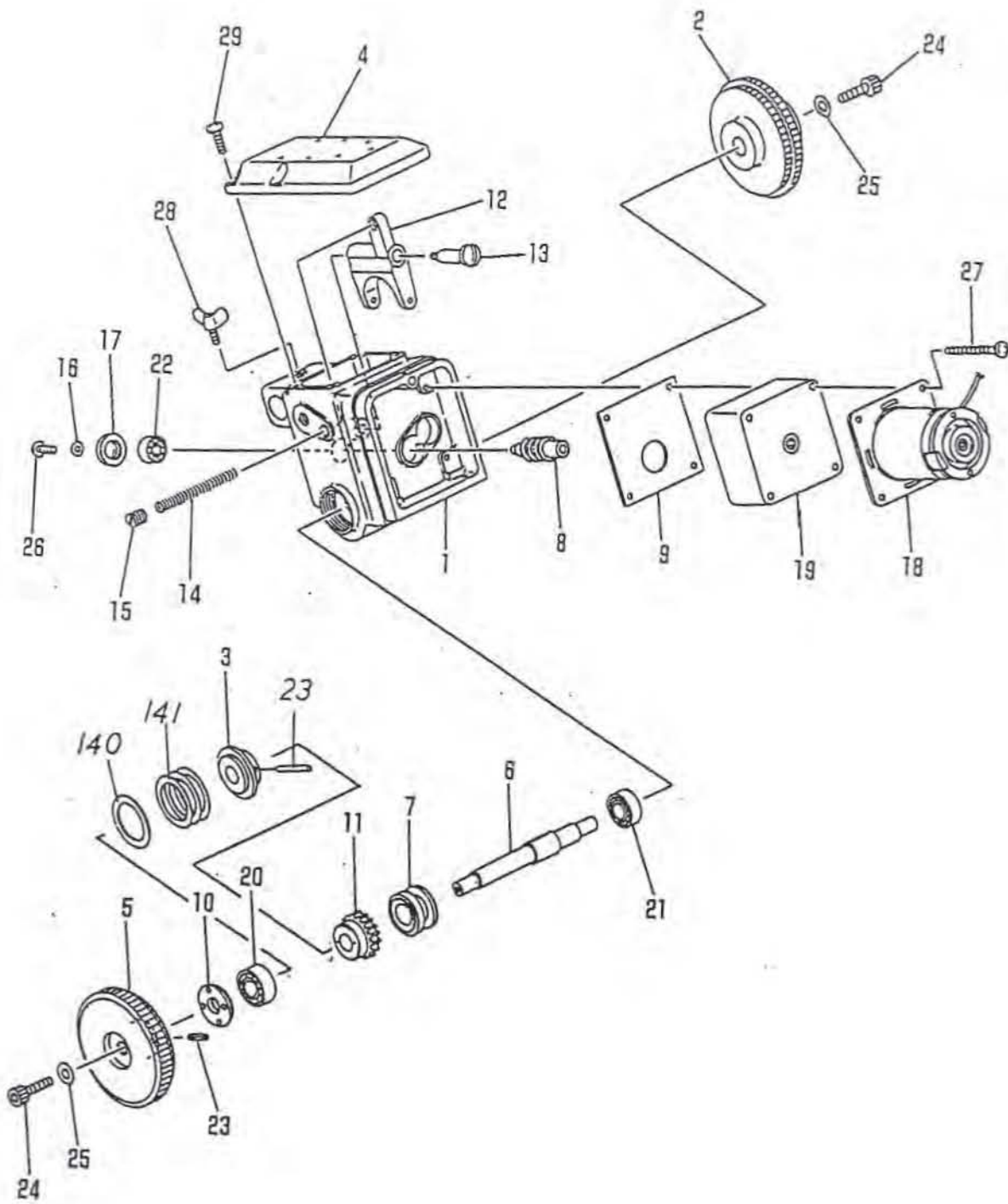


8 Wiring diagram

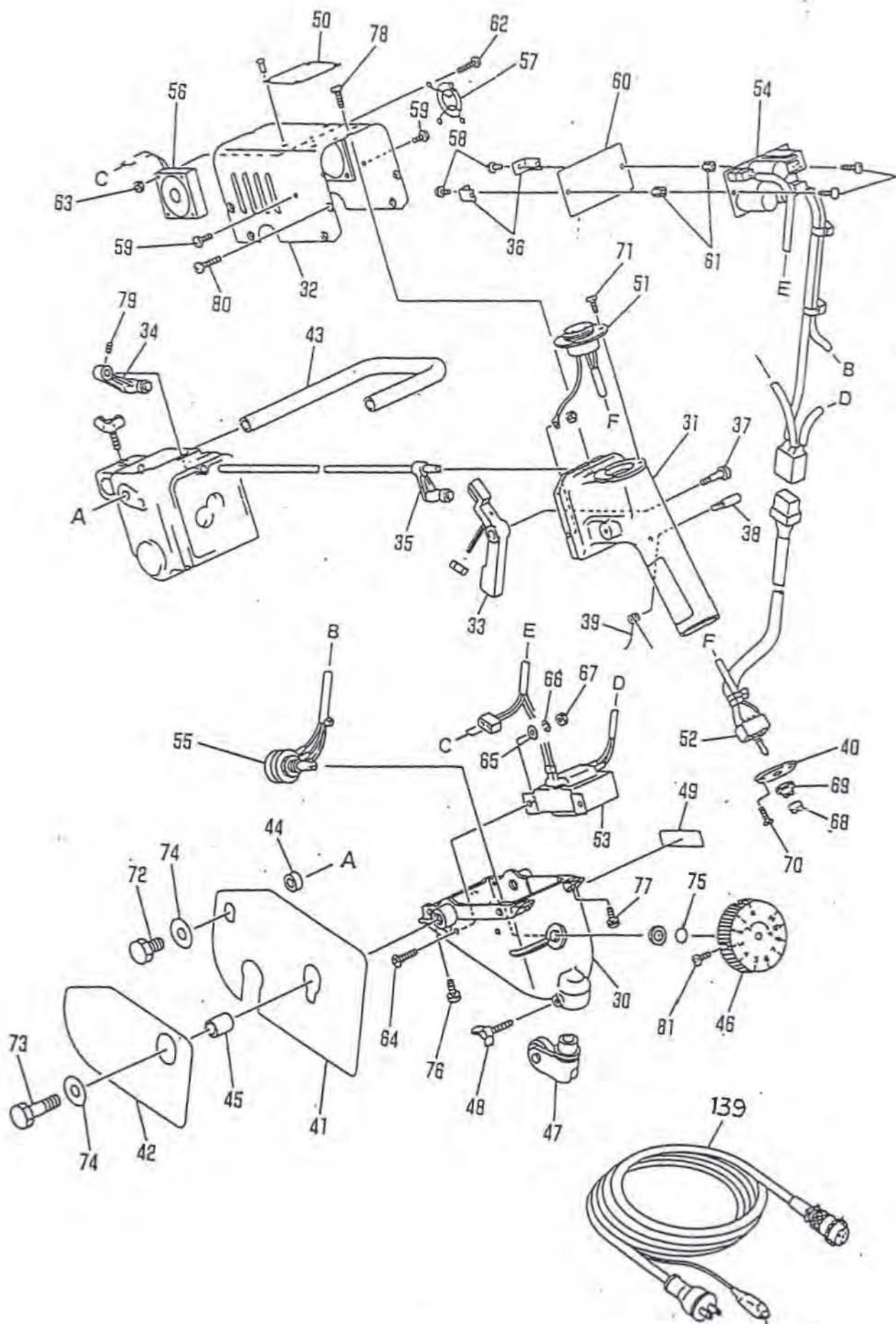


9 Assembly drawing





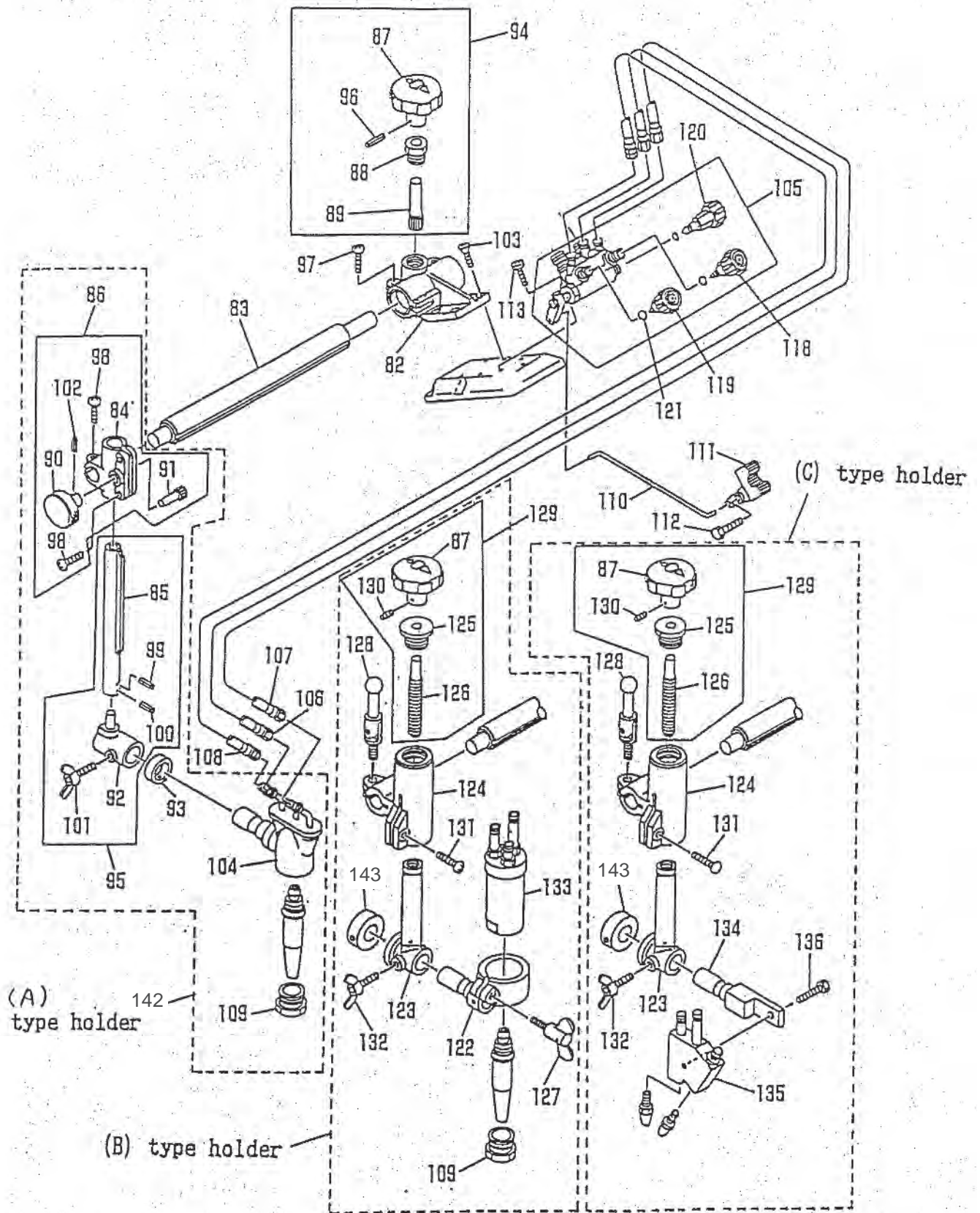
ITEM NUMBER	PART DESCRIPTION	QUANTITY	PART NUMBER	REMARKS
1	GEAR BOX	1	ZS36801	
2	IDLE WHEEL	1	ZS36804	
3	COLLAR	1	60036806	
4	GEAR BOX COVER	1	ZS36818	
5	DRIVE WHEEL	1	ZS36401	
6	DRIVE WHEEL ASSEMBLY	1	ZS36402	
7	CLUTCH (A)	1	ZS36404	
8	WORM GEAR	1	ZS36406	
9	TEFRON PACKING	1	ZS36409	
10	BEARING RETAINING SCREW	1	ZS30516	
11	WORM WHEEL ASSEMBLY	1	ZS30518	
12	CLUTCH LEVER	1	ZS30528	
13	CLUTCH LEVER SHAFT	1	ZS30534	
14	LEVER SPRING	1	ZS30530	
15	SPRING RETAINERS	2	ZS30531	
16	WASHER	1	ZS31015	
17	BEARING RETAINER	1	ZS32591	
18	MOTOR	1	ZS36410	DME446HPB
19	GEAR HEAD	1	ZS36437	6H90
20	BEARING	1	1138350900	6200ZZ
21	BEARING	1	1138352400	6000ZZ
22	BEARING	1	ZS30750	606ZZ
23	SPRING PIN	2	9968204200	PR-2.5X15
24	HEXAGON SOCKET SCREW	2	9968128100	BC-5X10
25	FLAT WASHER	2	9968148700	WF-5
26	SCREW	1	9968174700	SP-4X6
27	SCREW	1	9968176300	SP-4X40
28	WING BOLT	1	9968232200	BS-6X12
29	SCREWS	4	9968175000	SP-4X12



ITEM NUMBER	PART DESCRIPTION	QUANTITY	PART NUMBER	REMARKS
30	LOWER CASING	1	ZS36811	
31	GRIP	1	ZS36812	
32	COVER	1	ZS36813	
33	CLUTCH LEVER	1	ZS36825	
34	CLUTCH JOINT ASSEMBLY (A)	2	ZS36815	
35	CLUTCH JOINT ASSEMBLY (B)	2	ZS36826	
36	BASE PLATE MOUNTING BRACKETS	2	ZS36908	
37	LEVER SHAFT	1	ZS36819	
38	SPRING SHAFT	1	ZS36820	
39	SPRING	1	ZS36822	
40	SWITCH MOUNTING PLATE	1	ZS36822	
41	INNER HEAT SHIELD	1	ZS36823	
42	OUTER HEAT SHIELD	1	ZS36824	
43	HANDLE	1	ZS36829	
44	COLLAR (3)	1	ZS36417	
45	COLLAR (4)	1	ZS36418	
46	RESISTOR HANDLE	1	ZS36442	
47	GUIDE WHEEL ASSEMBLY	1	ZS36870	
48	WING BOLT	1	9968232500	BS-6X15
49	MACHINE FACE PLATE	1	ZS36892	
50	NAME PLATE	1	ZS36891	
51	RECEPTACLE	1	ZS30273	RT25-R3M
52	SWITCH	1	ZS36910	
53	TRANSFORMER	1	ZS36435	
54	CONTROLLER	1	ZS36436	KO-0907
55	SPEED-SETTING VR	1	ZS36440	RV24YN20S B5 5K
56	FAN MOTOR	1	ZS36438	
57	FAN GUARD	1	ZS36444	
58	SCREW	4	9968172200	SP-3X5
59	SCREW	2	9968172300	SP-3X6
60	GUARD PLATE	1	ZS36909	
61	SPACERS	2	ZS36911	
62	SCREW	4	9968172600	SP-3X12
63	NUT	4	9968123000	NH-3
64	SCREW	2	9968175300	SP-4X15
65	FLAT WASHER	2	9968148600	WF-4
66	SPRIING WASHER	2	9968150100	WS-4

ITEM NUMBER	PART DESCRIPTION	QUANTITY	PART NUMBER	REMARKS
67	HEXAGON NUT	2	9968123100	NH-4
68	DUST PROTECTIVE CAP	1	ZS32431	
69	DUST PROTECTIVE NUT	1	ZS32480	
70	SCREW	2	9968172500	SP-3X10
71	SCREW	3	9968172300	SP-3X6
72	HEXAGON BOLT	1	9968108900	BH-10X15
73	HEXAGON BOLT	1	9968109400	BH-10X30
74	WASHER	2	9968149000	WF-10
75	O-RING	1		P-6
76	SCREW	2	9968177400	SP-5X14
77	SCREW	2	9968174800	SP-4X8
78	SCREW	6	9968174600	SP-4X5
79	SCREW	1	9968272600	SS-4X5
80	SCREW	1	9968175000	SP-4X12
81	SCREW	2	9968174800	SP-4X8
139	CABTYRE CORD ASSEMBLY	1	61004264	
140	WASHER	1	ZS36965	
141	WAVE WASHER	3	ZS36966	

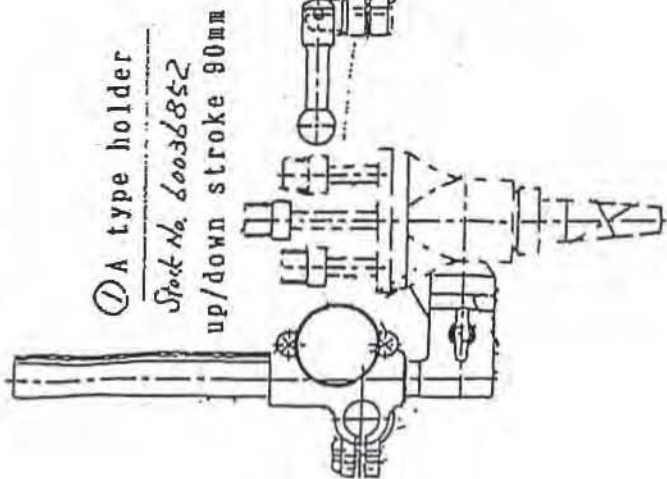
Holder and distributing components



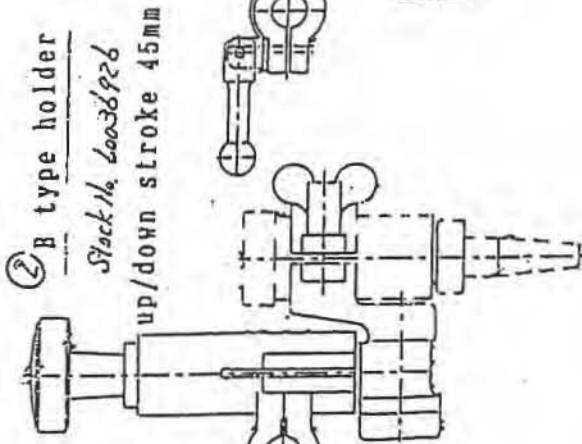
ITEM NUMBER	PART DESCRIPTION	QUANTITY	PART NUMBER	REMARKS
82	CROSS FEED TABLE ASSEMBLY	1	ZS36848	
83	CROSS BAR	1	ZS36849	
84	VERTICAL HOLDER	2	ZS36845	
85	VERTICAL PIPING ASSEMBLY	1	ZS36851	
86	VERTICAL HOLDER	1	ZS36850	(A) TYPER HOLDER
87	HANDLE	1	ZS30223	
88	METAL PINION	1	ZS30557	
89	CROSS FEED PINION	1	ZS30558	
90	HANDLE	1	ZS31628	
91	PINION	1	ZS31627	
92	TORCH HOLDER	1	ZS31624	
93	CALIBRATION COLLAR	1	ZS30906	
94	CROSS FEED HANDLE ASSEMBLY	1	ZS30556	
95	TORCH HOLDER ASSEMBLY	1	ZS36852	(A) TYPER HOLDER
96	SPRING PIN	1	9968204300	PR-2.5X16
97	SCREW	2	9968177400	SP-5X14
98	SCERW	3	9968177400	SP-5X14
99	SPRING PIN	1	9968202100	PR-2X13
100	SPRING PIN	1	9968201700	PR-2X6
101	WING BOLT	1	9968231400	BS-5X15
102	SPRING PIN	1	9968202100	PR-2X13
103	SCREW	4	9968177500	SP-5X15
104	TORCH	1	ZS10302	
105	DISTRIBUTOR ASSEMBLY	1	ZS36882	
106	JET OXYGEN HOSE	1	ZM36864	
107	PREHEAT OXYGEN HOSE		ZM36864	
108	GAS HOSE	1	ZM36866	
109	TIP FIXING NUT	1	ZS05020	
110	LEVER ROD	1	ZS36881	
111	JET LEVER	1	ZS30561	
112	JET LEVER SHAFT	1	ZS30562	
113	SCREWS	3	9968177500	SP-5X15
118	PREHEAT OXYGEN VALVE ASSEMBLY	1	ZS15255	

ITEM NUMBER	PART DESCRIPTION	QUANTITY	PART NUMBER	REMARKS
119	GAS VALVE ASSEMBLY	1	ZS15256	
120	JET OXYGEN VALVE ASSEMBLY	1	ZS15254	
121	O RINGS	3	ZS05026	
122	TORCH HOLDER	1	ZS36924	
123	HOLDER SUPPORT	1	ZS36925	
124	SUPPORT BASE	1	ZS30566	
125	SQUARE THREAD METAL	1	ZS30564	
126	SQUARE THREAD	1	ZS30565	
127	WING BOLT	1	ZS30392	
128	BENT HANDLE	1	ZS30313	
129	VERTICAL HANDLE ASSEMBLY	1	ZS30563	
130	SPRING PIN	1	9968204300	PR-2.5X16
131	SCREW	1	9968179900	SP-6X15
132	WING BOLT	1	9968232500	BS-6X16
133	TORCH	1	ZS10602	
134	GERMAN TORCH SUPPORT	1	ZS36941	
135	TORCH	1	ZS10604	PROPANE GAS
136	HEXAGON BOLT	1		BH-6X16
137	TORCH HOLDER ASSEMBLY	1	ZS36923	INCLUDES ITEMS 109 & 133
138	GERMAN TORCH HOLDER ASSEMBLY	1	ZS36942	EXCLUDED ITEM 138
142	TORCH HOLDER ASSEMBLY (A)	1	ZS03359	
143	CALIBRATION COLLAR	1	ZS30568	

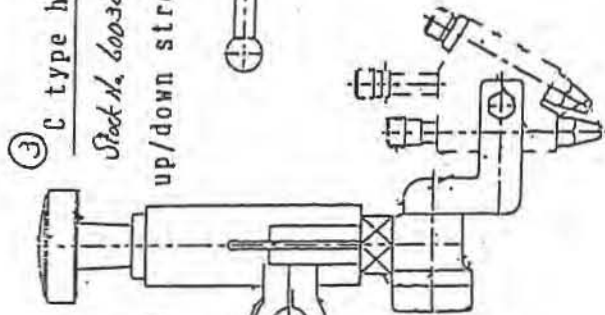
OPTION LIST



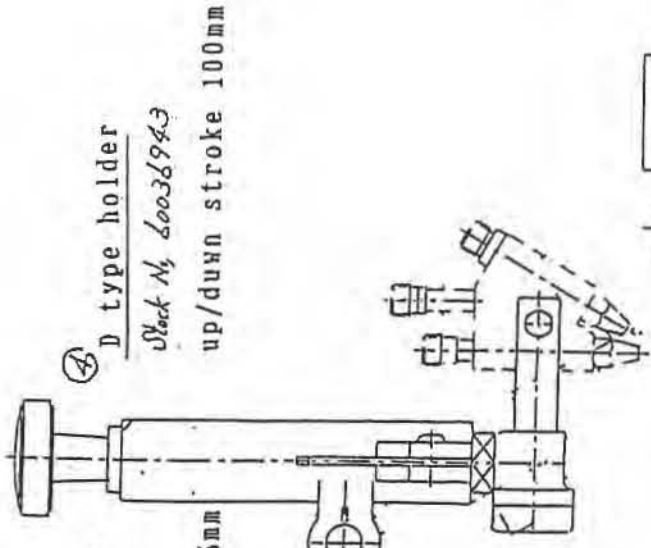
① A type holder
Stock No. 60036852
up/down stroke 90mm



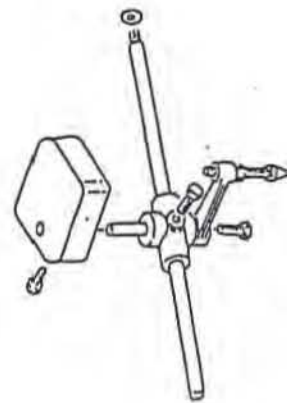
② B type holder
Stock No. 60036926
up/down stroke 45mm



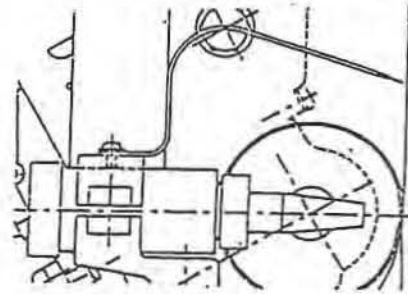
③ C type holder
Stock No. 60036942
up/down stroke 45mm



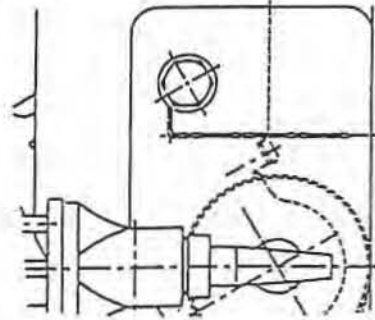
④ D type holder
Stock No. 60036943
up/down stroke 100mm



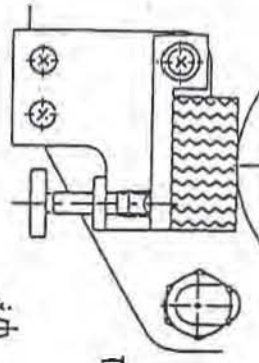
⑤ circle cutting att
Stock No. 60033353



⑦ guide needle
Stock No. 60036956
(B type only)



⑥ guide needle
Stock No. 60036955
(common use for A,B,C)



⑧ brush for wheel
Stock No. 60036957

⑨ weight bar (short)
Stock No. 60036958

short 65L, long 135L

⑩ weight bar (long)
Stock No. 60036955

weight
Stock No. 60030381

body side