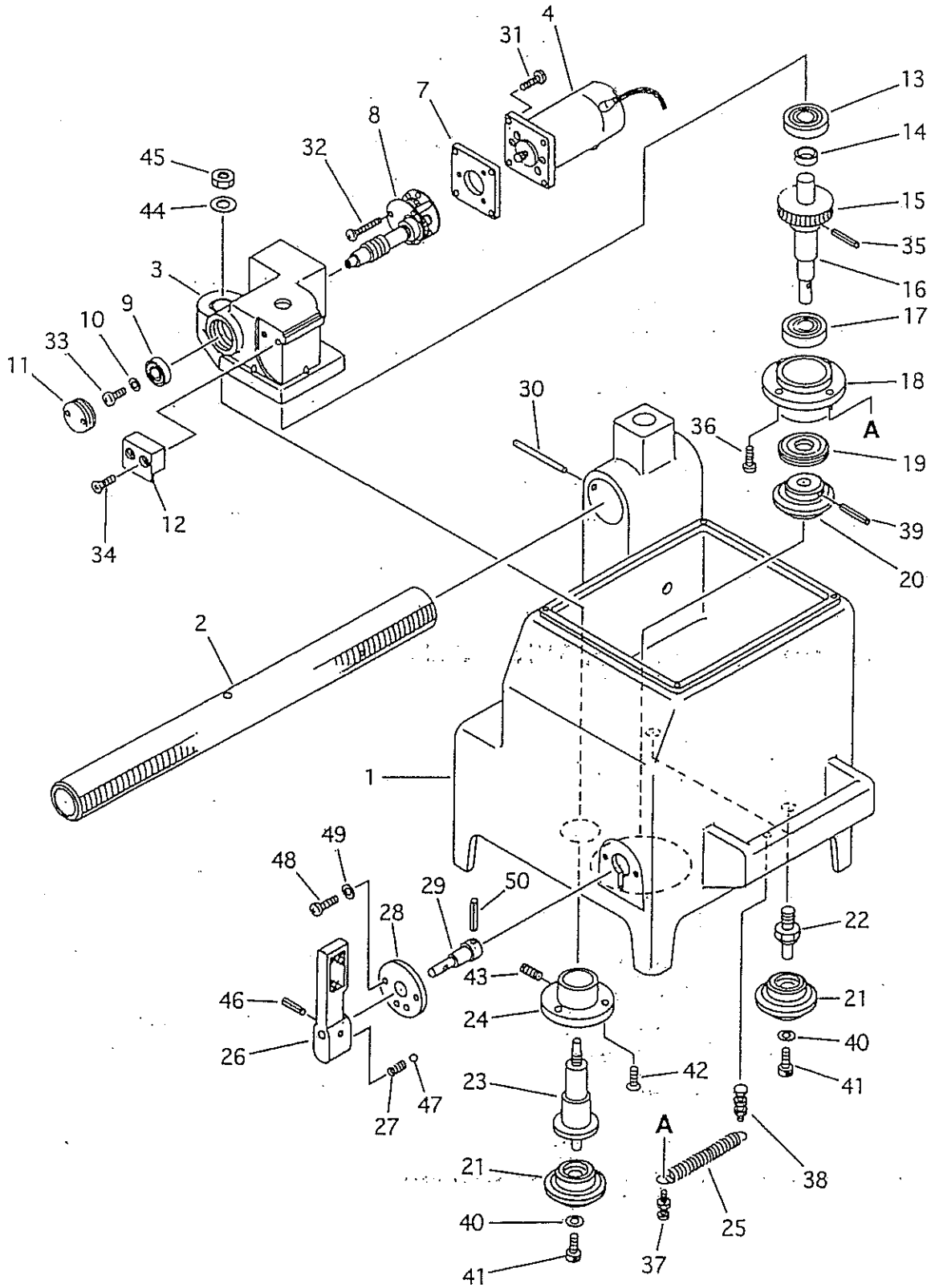


10 Parts list

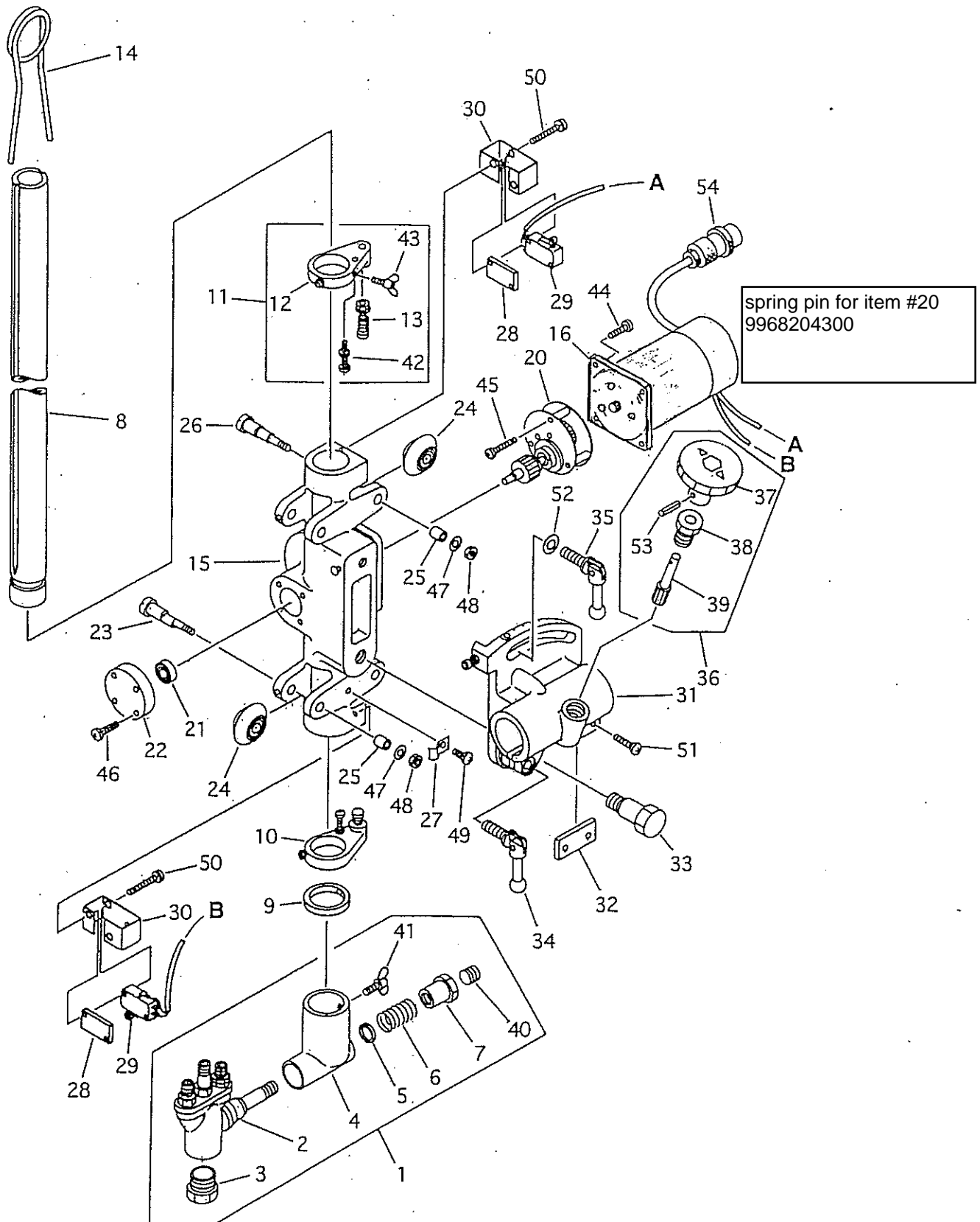
10.1 Body unit



ITEM NUMBER	PART DESCRIPTION	QUANTITY	PART NUMBER	REMARKS
1	MAIN UNIT CASE	1	ZS31238	
2	PIPE ARM (A)	1	ZS31241	
3	GEAR BOX	1	ZS31270	
4	HORIZONTAL DRIVE MOTRO WITH PINION	1	67000403	24V 15W 5000RPM
	100V MOTOR REPLACEMENT KIT	1	61001467	REPLACES 100V MOTOR FOR HORIZONTAL AND VERTICAL DRIVES
5	CARBON BRUSH	2	ZS31693	
6	CARBON CAP	2	ZS33545	
7	SPACER	1	61000546	
8	GEAR ASSEMBLY	1	61001648	
9	BEARING	1	ZS31033	627ZZ
10	WASHER	1	ZS31015	
11	BEARING RETAINER	1	ZS31014	
12	CLUTCH LEVER PLATE	1	ZS31274	
13	BEARING	1	ZS31237	6001ZZ
14	COLLAR	1	ZS31273	
15	WORM WHEEL	1	ZS31271	
16	DRIVE WHEEL SHAFT	1	ZS31272	
17	BEARING	1	ZS30252	6201ZZ
18	CASING	1	ZS31278	
19	BEARING RETAINER	1	ZS31279	
20	DRIVE ROLLER	1	ZS31276	
21	ROLLER ASSEMBLY	3	ZS31235	608ZZ
22	GUIDE ROLLER SHAFT	2	ZS31284	
23	GEAR BOX FITTING SHAFT	1	ZS31281	
24	CASING	1	ZS31280	
25	SPRING	1	ZS31287	
26	CLUTCH LEVER	1	ZS31234	
27	LEVER SPRING	1	ZS31236	
28	CLUTCH SHAFT HOLDER	1	ZS31283	
29	CLUTCH SHAFT	1	ZS31283	
30	TAPER PIN	1		PT-4X50

PART NUMBER	PART DESCRIPTION	QUANTITY	PART NUMBER	REMARKS
31	SCREW	4	9968175300	SP-4X16
32	SCREW	3	9968169200	SP-2X20
33	SCREW	1	9968174700	SP-4X6
34	SCREW	2	9968157200	SF-5X20
35	SPRING PIN	1	9968210300	PR-4X25
36	SCREW	3	9968177500	SP-5X15
37	SCREW	1	9968178200	SP-5X25
38	HEXAGON BOLT	1	9968103500	BH-5X25
39	SPRING PIN	1	9968210500	PR-4X28
40	WASHER	3	9968148700	WF-5
41	HEX SOCKET SCREW	3	9968128100	BC-5X10
42	SCREW	3	9968177400	SP-5X14
43	SCREW	1	9968274100	SS-5X15
44	WASHER	1	9968149000	WF-10
45	NUT	1	9968123500	NH-10
46	SPRING PIN	1	9968209800	PR-4X16
47	STEEL BALL	1	9968399900	TB-1/4
48	SCREW	2	9968177300	SP-5X12
49	WASHER	2	9968148700	WF-5
50	SPRING PIN	1	9968210300	PR-4X25

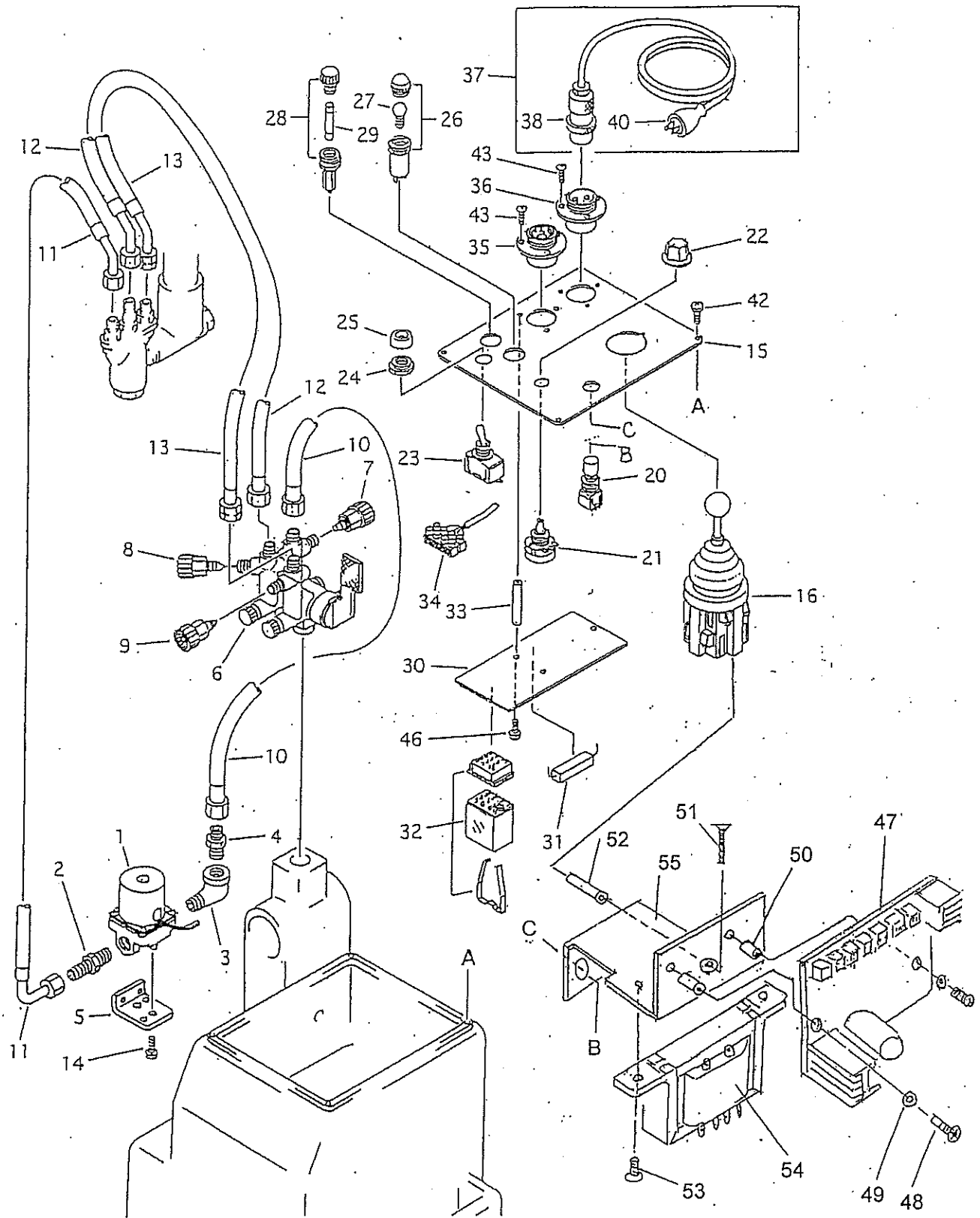
10.2 Torch slide unit



ITEM NUMBER	PART DESCRIPTION	QUANTITY	PART NUMBER	REMARKS
1	TORCH AND HOLDER ASSEMBLY	1	ZS32047	
2	TORCH	1	ZS10402	
3	TIP FIXING NUT	1	ZS05020	
4	TORCH HOLDER	1	ZS31212	
5	COLLAR	1	ZS31219	
6	SPRING	1	ZS31221	
7	LOCK NUT	1	ZS31213	
8	SLIDE BAR	1	ZS31220	32"
9	ANGLE GRADUATION RING	1	ZS31222	WITH SCREW
10	UPPER STOPPER ASSEMBLY	1	ZS31215	
11	LOWER STOPPER ASSEMBLY	1	ZS32050	
12	STOPPER	2	ZS31216	
13	LIMIT SHAFT	2		
14	HOSE HANGER	1	ZS31218	
15	GUIDE ROLLER HOLDER	1	ZS31207	WITH SCREW
16	VERTICAL DRIVE MOTOR	1	69000126	24V 15W 5000RPM
	100V MOTOR REPLACEMENT KIT	1	61001467	REPLACES VERTICAL AND HORIZONTAL MOTORS
20	GEAR ASSEMBLY	1	ZS31299	
21	BEARING	1	1138353800	626ZZ
22	BEARING ADJUSTING METAL	1	ZS31211	
23	GUIDE ROLLER SHAFT (A)	2	ZS31223	
24	GUIDE ROLLER ASSEMBLY	4	ZS31225	
25	GUIDE ROLLER COLLAR	4	ZS31226	
26	GUIDE ROLLER SHAFT (B)	2	ZS31224	
27	HOLDER	2	ZS32054	
28	SPACER	2	ZS31227	
29	LIMIT SWITCH	2	ZS31268	
30	SWITCH COVER	2	ZS31214	

ITEM NUMBER	PART DESCRIPTION	QUANTITY	PART NUMBER	REMARKS
31	GUIDE ROLLER HOLDER BRACKET	1	ZS31208	
32	KEY	1	ZS30954	
33	ROTARY SHAFT	1	ZS31209	
34	CRANK HANDLE	1	ZS32211	
35	CRANK HANDLE	1	ZS30313	
36	CROSS FEED HANDLE ASSEMBLY	1	ZS30316	
37	HANDLE	1	ZS30317	
38	PINION METAL	1	ZS30318	
39	PINION	1	ZS30319	
40	SCREW	1		M-12X10
41	WING BOLT	1	9968232200	
42	SCREW	1	9968175800	SP-4X25
43	WING BOLT	1	9968230000	BC-4X10
44	SCREW	4	9968175300	SP-4X15
45	SCREW	3	9968173100	SP-3X20
46	SCREW	4	9968175300	SP-4X16
47	WASHER	4	9968148700	WF-5
48	NUT	4	9968123200	NH-5
49	SCREW	2	9968174500	SP-4X4
50	SCREW	4	9968173100	SP-3X20
51	SCREW	2	9968175100	SP-4X14
52	WASHER	1	9968148900	WF-8
53	SPRING PIN	1	9968204300	PR-2.5X16
54	METAL PLUG	1	6N020118	6P

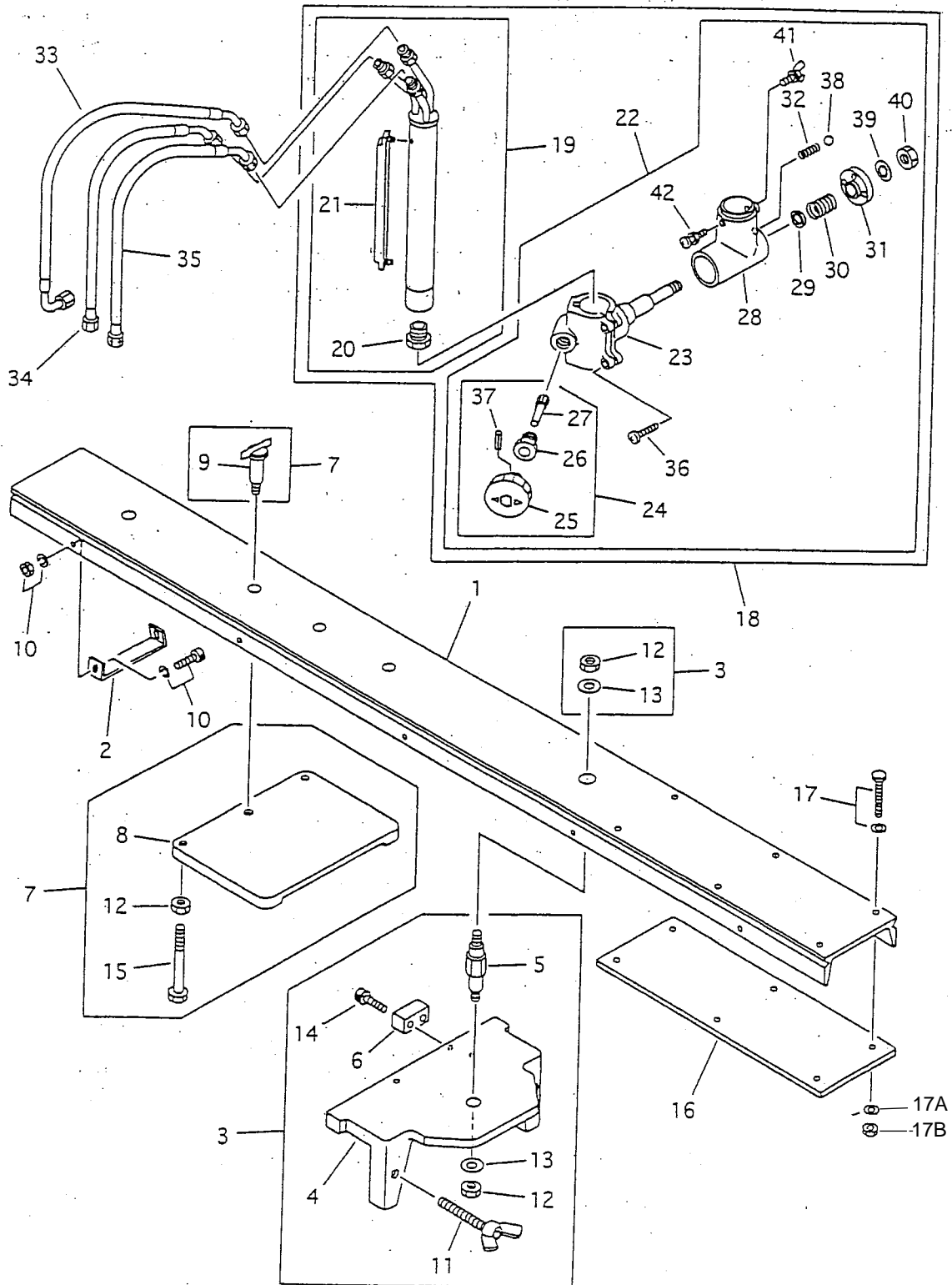
10.3 Gas distributor operation plate unit



ITEM NUMBER	PART DESCRIPTION	QUANTITY	PART NUMBER	REMARKS
1	OXYGEN SOLENOID	1	ZS32093	
2	NIPPLE	1	ZS31243	
3	ELBOW	1	0866357200	
4	NIPPLE	1	ZS32022	
5	SOLENOIDE VALVE FITTING PLATE	1	ZS32091	
6	DISTRIBUTOR	1	ZS10502	
7	JET OXYGEN VALVE	1	ZS15251	
8	PREHEAT OXYGEN VALVE	1	ZS15255	
9	GAS VALVE	1	ZS15256	
10	JET OXYGEN HOSE	1	ZM30511	
11	JET OXYGEN HOSE	1	ZM31231	
12	PREHEAT OXYGEN HOSE	1	ZM31231	
13	GAS HOSE	1	ZM32025	
14	SCREW	2	9968177300	SP-5X12
15	OPERATION PANEL	1	ZS31240	
16	4-DIRECTION SWITCH	1	ZS31244	
17	SCR FITTING PLATE	2	ZS33078	
18	SCR CONTROL	1	ZS30741	
19	SCR SOCKET	1	ZS30742	
20	PUSH BUTTON SWITHC	1	ZS31248	
21	VARIABLE RESISTOR	1	ZS30745	
22	HANDLE	1	ZS31249	WITH SCREW
23	SWITCH	1	ZS30743	
24	DUST PROTECTOR NUT	1	ZS35017	
25	DUST PROTECTOR CAP	1	ZS32431	
26	LAMP HOLDER	1	ZS30746	
27	LAMP	1	ZS30747	
28	FUSE HOLDER	1	ZS31286	
29	FUSE	1	ZS30707	1 AMP
30	PRINTED CARD	1	ZS31289	
31	RESISTOR	2	ZS31247	
32	RELAY	4	ZS32044	
33	PRINTED CARD FITTING BAR	3	ZS33079	
34	TERMINAL	1	ZS30656	4P
35	METAL SOCKET	1	6N020115	6P
36	METAL SOCKET	1	ZS30273	3P

ITEM NUMBER	PART DESCRIPTION	QUANTITY	PART NUMBER	REMARKS
37	CABTYRE CORD ASSEMBLY	1	61004264	
38	METAL PLUG	1	ZS30275	
39	CABTYRE CORD	1	NOT AVAILABLE	CABLE ONLY
40	RUBBER PLUG	1	9938848900	
41	EARTH CLIP	1	ZS30295	
42	SCREW	4	9968172300	SP-3X6
43	SCREW	6	9968162700	SM-4X10
46	SCREW	2	9968172900	SP-3X16
47	CONTROLLER	1	69000105	
48	SCREW	2	9968172500	SP-3X10
49	ISOLATION WASHER	2	60036374	WP-1
50	SPACER	2	6R020001	EP-5
51	SCREW	1	9968173100	SP-3X20
52	SPACER	1	6400042	EM-14
53	SCREW	2	9968172200	SP-3X5
54	TRANSFORMER	1	61000472	100V-120V
55	BRACKET	1	61001042	

10.4 Rail straight head type torch unit



ITEM NUMBER	PART DESCRIPTION	QUANTITY	PART NUMBER	REMARKS
1	RAIL (ST TYPE)	1	ZK31262	600MM
	RAIL (ST TYPE)	1	ZS4251202	900MM
	RAIL (LT TYPE)	1	ZS33094	600MM
	RAIL (LT TYPE)	1	ZS33095	900MM
2	SET PLATE SPACER	5	ZS31259	600MM
	SET PLATE SPACER	6	ZS31259	900MM
3	SET BASE ASSEMBLY	1	ZK32048	
4	SET BASE	1	ZS31257	
5	SET SHAFT	1	ZS31258	
6	BASE PLATE	1	ZS31260	
7	SLIDE BASE ASSEMBLY	1	ZS32049	
8	SLIDE BASE	1	ZS31261	
9	FIXING BOLT	1	ZS31264	
10	HEX SOCKET HEAD SCREW	10	9968128600	BC-5X15
	HEX SOCKET HEAD SCREW	12	9968128600	BC-5X15
11	WING BOLT	2	SPECIAL ORDER	M-8x65
12	NUT	4	9968123500	NH-10
13	WASHER	2	9968149000	WF-10
14	SCREW	2	9968177900	SP-5X20
15	HEXAGON BOLT	2	9968107600	BH-8X30
16	STABILIZER	1	ZS33093	LT TYPE
17	HEXAGON BOLT	6	9968103400	BH-5X20
17A	WASHER	1	9968148700	WF-5
17B	NUT	1	9968123200	NH-5
18	STRAIGHT HEAD TORCH	1	ZS32000	LONG TORCH SET
19	STRAIGHT HEAD TORCH	1	ZS10404	LONG TORCH
20	TIP FIXING NUT	1	ZS05020	
21	TORCH RACK	1	ZS10307	WITH SCREW
22	STRAIGHT HEAD TORCH HOLDER ASSEMBLY	1	ZS32028	
23	TORCH HOLDER	1	ZS32001	
24	PINION ASSEMBLY	1	ZS30908	
25	HANDLE	1	ZS30223	
26	PINION METAL (A)	1	ZS30909	
27	PINION (A)	1	ZS30910	
28	TORCH HOLDER BASE	1	ZS32002	

ITEM NUMBER	PART DESCRIPTION	QUANTITY	PART NUMBER	REMARKS
29	COLLAR (A)	1	ZS32004	
30	SPRING	1	ZS31221	
31	COLLAR (B)	1	ZS32005	WITH SCREW
32	SPRING	1	ZS31315	
33	JET OXYGEN HOSE	1	ZM32023	
34	PREHEAT OXYGEN HOSE	1	ZM32024	
35	GAS HOSE	1	ZM32025	
36	SCREW	2	9968177900	SP-5X20
37	SPRING PIN	1	9968204300	PR-2.5X16
38	STEEL BALL	1	9968399900	TB-1/4"
39	WASHER	1	9968149100	M-12
40	NUT	1	9968243200	NL-12
41	WING BOLT	1	9968232200	BS-6X12
42	SCREW	1	9968179900	SP-6X15