

PRODUCT STOCK NO.

PRODUCT NAME (TYPE)
PLAHANDY (φ35)

DRAWING NO.

PAGE
1/2

ITEM NO.	PART NAME	Q'TY	PART NO.	STOCK NO.	REMARKS
101	Torch holder assenbly	1		60038001	
	Torch holder	1			
	Pipe	2			
102	Lock nut	1		60038003	
103	Taper coller	1		60038015	φ32
104	Clamp plate (A)	1		60038017	
105	" (B)	1		60035531	
106	Main unit cover (A)	1		60035537	
107	" (B)	1		60035538	
108	Variable resister plate	1		60035540	
110	Position setting nut	1		60038005	
111	Holder cover	1		60038006	
112	Bevel gear (L)	1		60038007	with DU bush
113	Universal joint assenbly	1		60038008	
114	Trust coller (low)	1		60038010	
115	" (upper)	1		60038011	
116	Reduction gear coller	1		60030011	
117	Torch holder coller	1		60038012	
118	Gear cover	1		60038013	
119	Knob	1		60035541	
120	Radiator plate	1		60035558	
121	Name plate	1		60035559	
801	Stop ring	1			ISTW-40
802	Steel ball	43		60030170	1/8
805	Reduction gear with motor	1		60038019	with DC-12V RB-35 1/150
806	Speed control assembly	1		60035545	
807	Drive switch	1		60035544	HLS112A-B
REVISION					

KOIKE SANZO KOGYO CO., LTD.

PRODUCT STOCK NO.

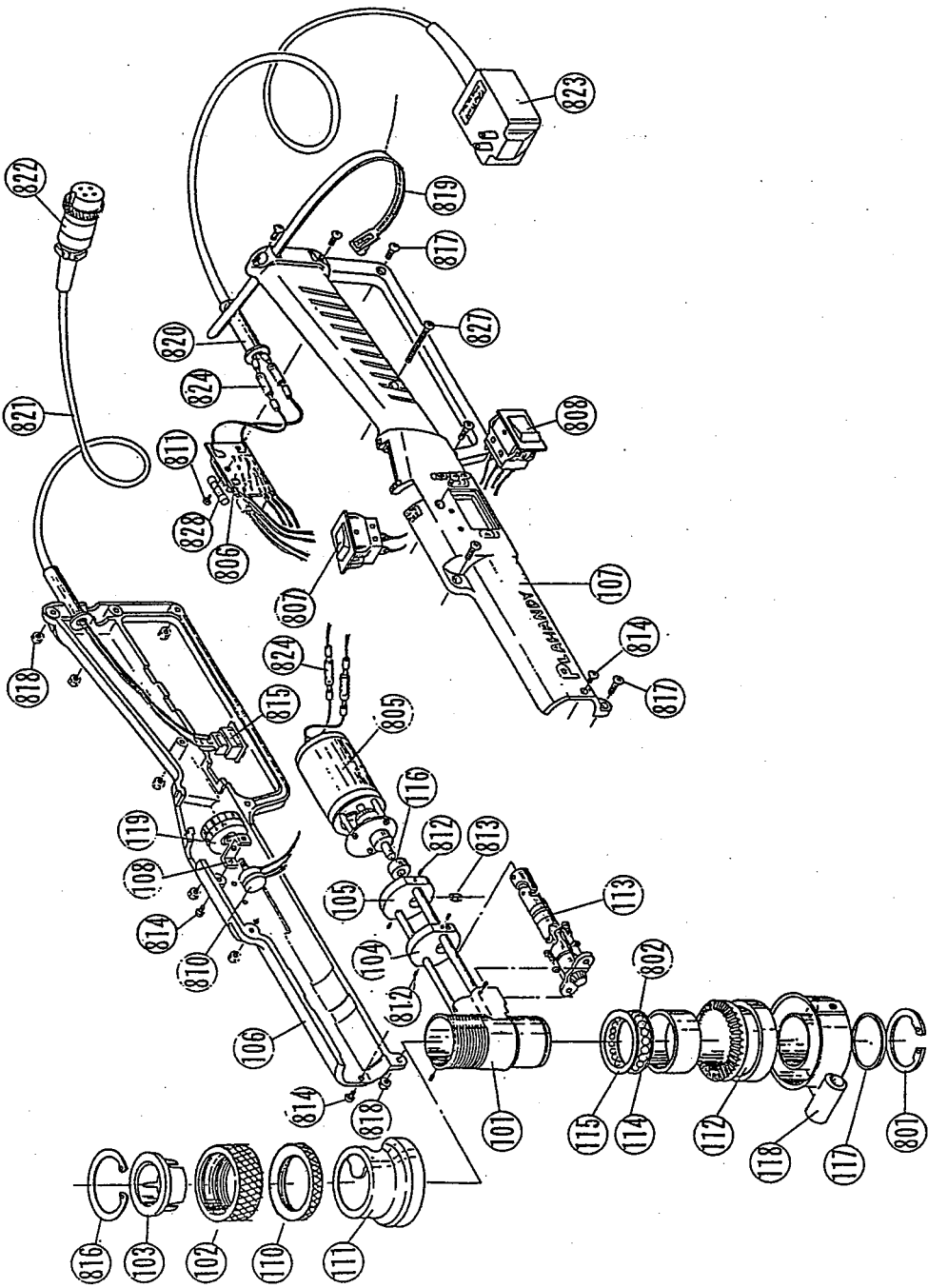
PRODUCT NAME (TYPE)
PLAHANDAY (φ35)

DRAWING NO.

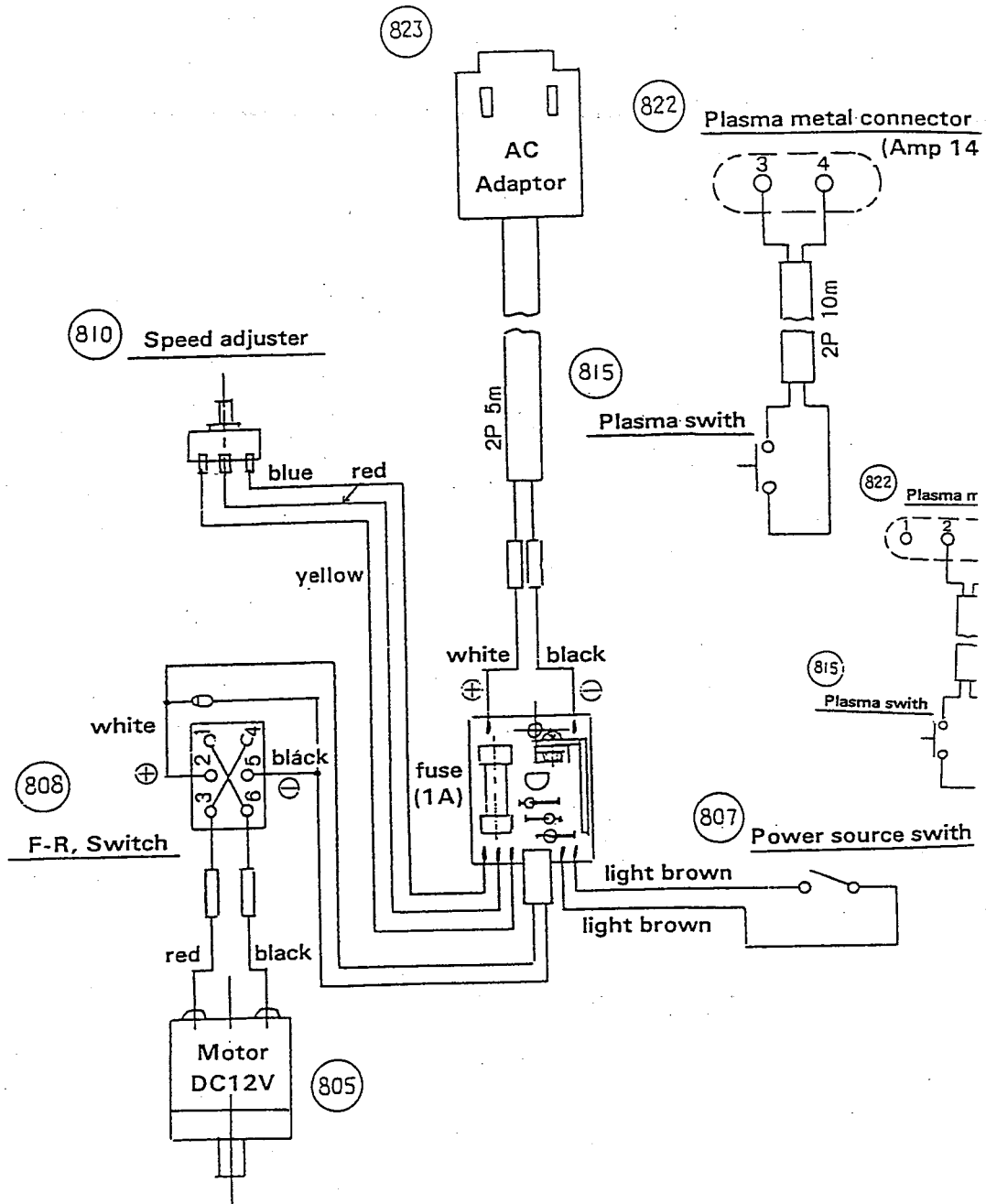
PAGE
2/2

ITEM NO.	PART NAME	Q'TY	PART NO.	STOCK NO.	REMARKS
808	Selector switch	1		60035551	HLS208N-M
810	Speed adjuster	1		60035539	RV16YN-15SB2KΩ
811	Tapping screw	1			2.5x5L
812	Set screw	4			M3x3L
813	//	1			M4x4L
814	Screw	1		SP-3x6	M3x6L
815	Plasma switch	1		60035552	8W1021
816	Stop ring	1			IRTW-48
817	Screw	6		SP-4x10	M4x10L
818	Hexagon nut	7			M4
819	Belt	1		60035550	RF250
820	Bush	1			
821	Metal plug cord (10M)	1		60035542	with metal plug
822	Metal plug	1		60035543	25-4A (STD)
823	AC adapter with cord (5M)	1		60035549	220V Export USA,KE
	//	1		60035553	120V USA only
	//			60035554	110V KE only
	//			60035555	220V KE only
824	Mid-way terminal	1			PC2005MN
	//	1			PC2005F
825	Screw	1		SP-3x6	M3x6L
826	Nut	1			M3
827	Screw	1		SP-4x25	M4x25L
828	Fuse	1		60035546	mizett 1A
822	Metal plug	1		60038018	KA only (AMP14P)
103	Teper collar			60038014	φ24(OPTION)
	//			60038004	φ35(OPTION)
REVISION					

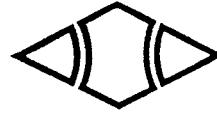
KOIKE SANZO KOGYO CO., LTD.



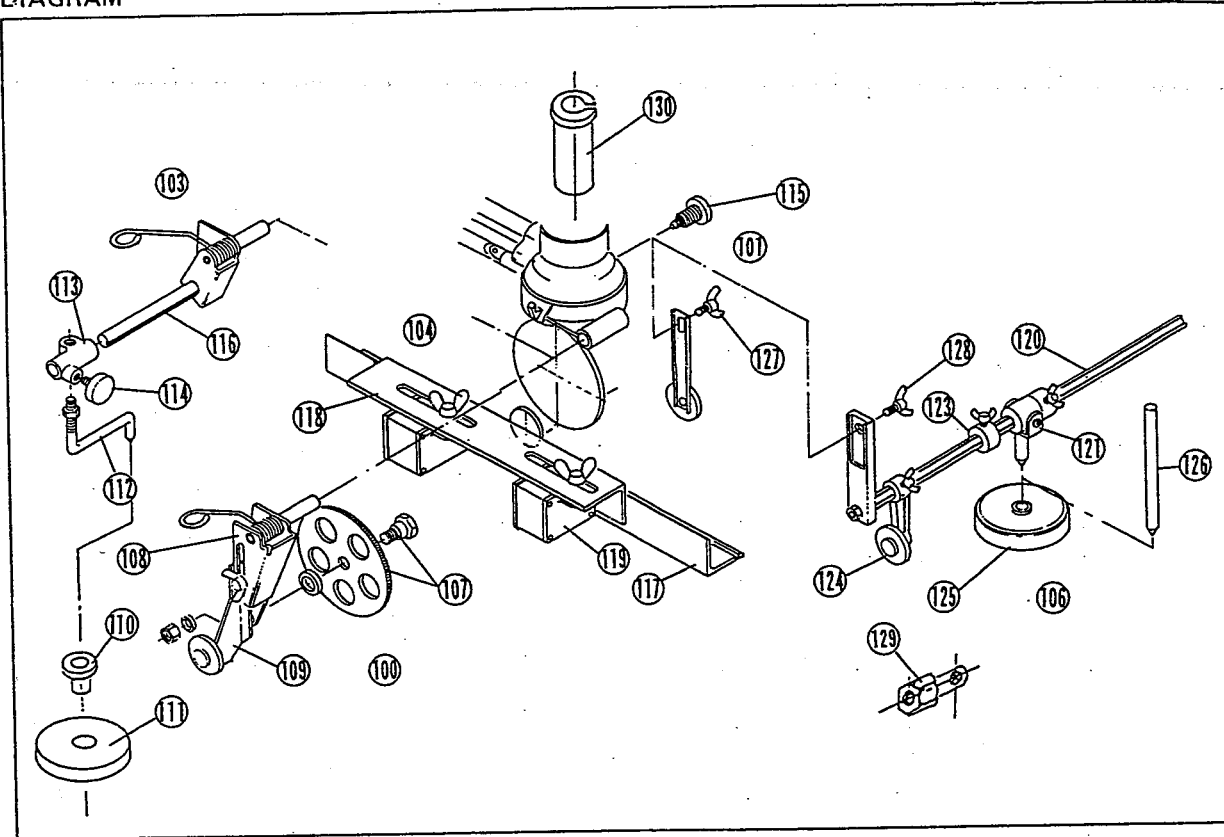
WIRING DIAGRAM



PLA-HANDY STANDARD ACCESSORY/OPTIONAL ACCESSORY



DIAGRAM



PRODUCT STOCK NO.

PRODUCT NAME (TYPE)
STEEL

DRAWING NO.

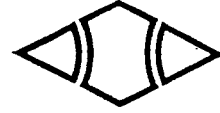
PAGE

ITEM NO.	PART NAME	Q'TY	PART NO.	STOCK NO.	REMARKS
100	Standerd wheel assenbly	1		60038020	
101	Auxiliary wheel assenbly	1		60030101	
103	Small circle cutting att	1		60030103	
104	Straight rail assenbly	1		60030104	
106	Large circle cutting att	1		60030106	
107	φ78 drive wheel	1		60030107	with shaft and nut
108	Standerd wheel bracket	1		60038021	
109	Guide roller	1		60030109	
110	Socket	1			
111	Center magnet	1		60035594	with socket
112	Centering needle	1		60030112	
113	Centering needle holder	1		60030113	
114	Radius setting knob	1		60030114	
115	Clutch knob	1		60030115	
116	Bracket bar	1		60030116	
117	Rail	1		60030117	
118	Rail bracket	1		60030118	
119	Magnet	1		60030119	with wing bolt
120	Large circle cutting bar	1		60030120	with wing bolt
121	Free holder	1		60030121	
123	Stop collar	1		60030122	with wing bolt
124	Support roller	1		60030123	
125	Magnet	1		60030124	
126	Magnet center	1		60030125	
127	Wing bolt	1		60030126	M6x6
128	Wing bolt	1		60030127	M6x8
129	Joint	1		60035593	

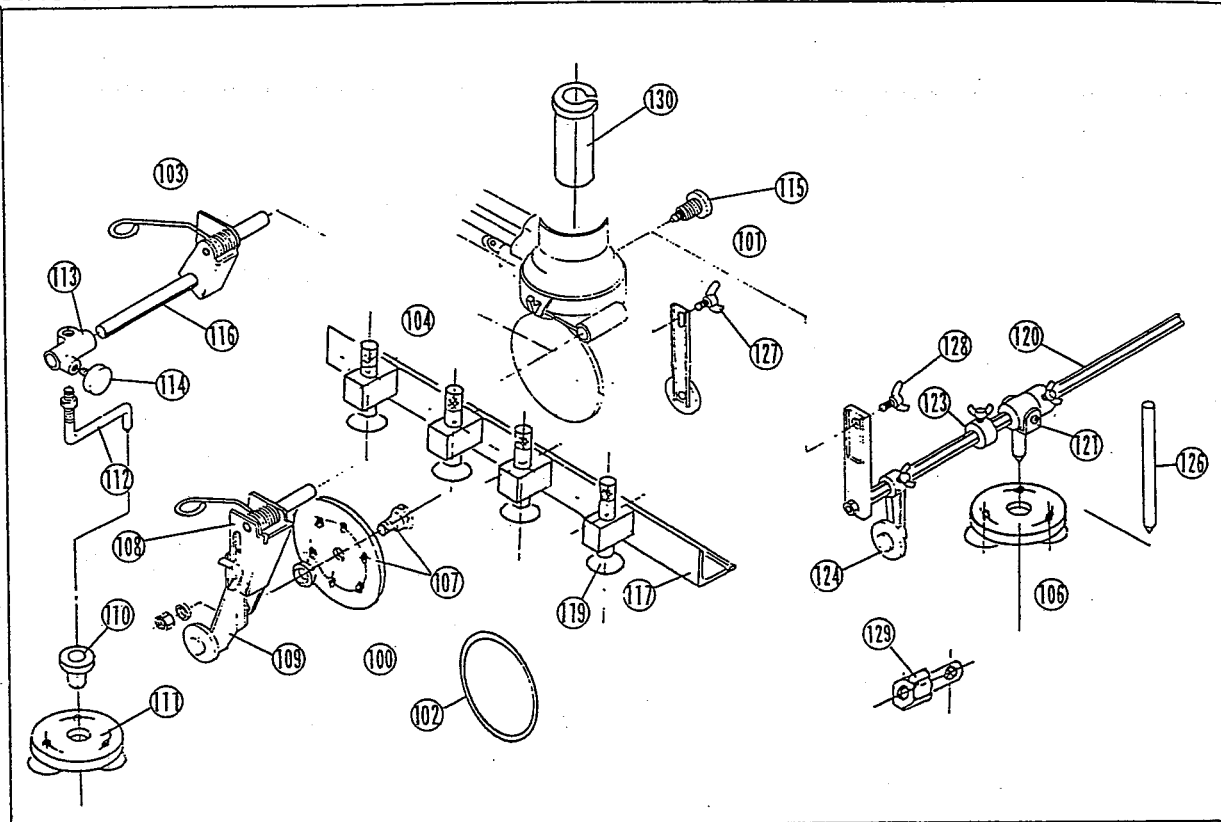
REVISION

KOIKE SANZO KOGYO CO., LTD.

PLA-HANDY FOR STAINLESS STEEL (OPTION)



DIAGRAM



PRODUCT STOCK NO.

PRODUCT NAME (TYPE)
SUS

DRAWING NO.

PAGE

ITEM NO.	PART NAME	Q'TY	PART NO.	STOCK NO.	REMARKS
100	Standerd wheel assenbly	1		60038050	
101	Auxiliary wheel assy	1		60030101	
102	O-ring (P-60)	1			
103	Small circlr cutting att	1		60030103	
104	Straight rail assy	1		60035582	
106	Large circlr cutting att	1		60035584	
107	∅78 drive wheel	1		60035587	with shaft and nut
108	Standerd wheel bracket	1		60038051	
109	Guide roller	1		60030109	
110	Socket	1			
111	Center with rubbers	1		60035581	with Socket
112	Centering needlè	1		60030112	
113	Centering needle holder	1		60030113	
114	Radius setting knob	1		60030114	
115	Clutch knob	1		60030115	
116	Bracket bar	1		60030116	
117	Rail	1		60030117	
119	Absorbent rubber	4		60035589	with wing bolt
120	Large circle cutting bar	1		30030120	with wing bolt
121	Free holder	1		60030121	
123	Stop collar	1		60030122	with wing bolt
124	Support roller	1		60030123	
126	Magnet center	1		60030125	
127	Wing bolt	1		60030126	M6x6
128	Wing bolt	1		60030127	M6x8
129	Joint	1		60035593	
REVISION					

KOIKE SANZO KOGYO CO., LTD.