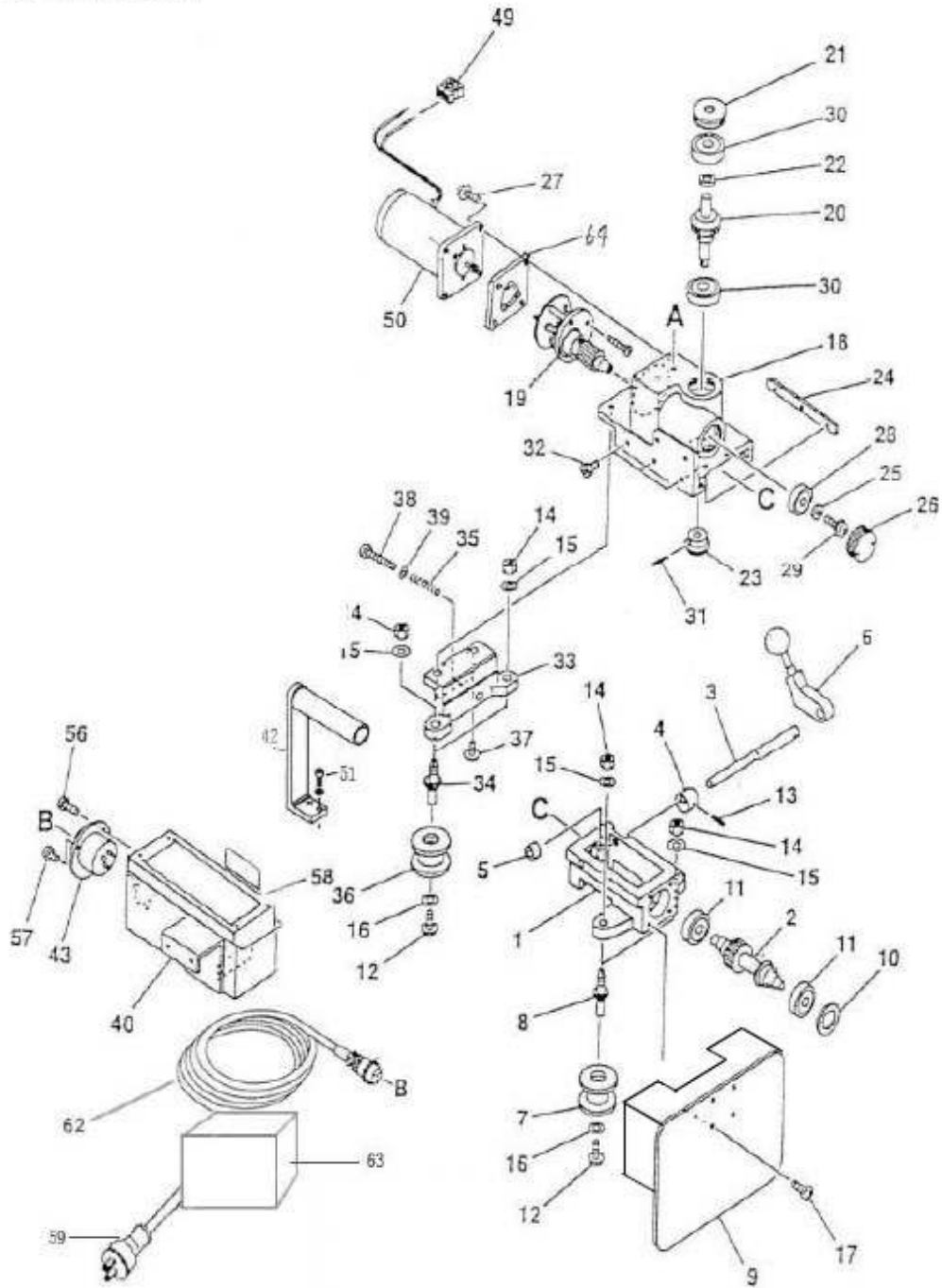


8. Part List

8.1 Main Body and Driving Parts

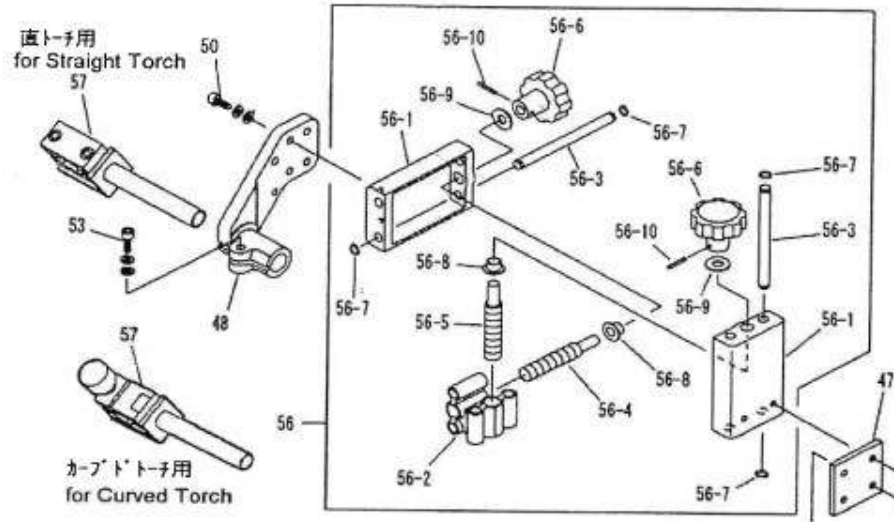


Main Body and Driving Parts

No	Designation	Quantity	Stock No.	Remark
1.	Machine base	1	T60031674	
2.	Driveshaft group	1	T60031606	
3.	Clutch shaft	1	T60031607	
4.	Eccentric collar	1	T60031608	
5.	Stopper	1	T60031609	
6.	Clutch handle (group)	1	T60031610	
7.	Side wheel (Group)	2	T60031611	
8.	Side shaft (A)	2	T60031612	
9.	Heat-resistant plate	1	T89000497	
10.	Linkage	1	T60031684	
11.	Bearings	2	T60031033	
12.	Screws	4	SP-3*6	
13.	Spring pin	1	PR-2*12	
14.	Inner hex nut	4	NH-6	M6
15.	Washer	4	WF-6	M6
16.	Washer	4	WF-3	M3
17.	Screws	8	SP-4*8	M4*8
18.	Gearbox	1	T60031615	
19.	Reducer (group)	1	T61000715	
20.	Turbo (group)	1	T60031617	
21.	Bearing gland	1	T60031618	
22.	Collar (A)	1	T60031619	
23.	Helical gear (B)	1	T60031620	
24.	Side buttons	1	T60031621	
25.	Washer	1	T60031015	
26.	Bearing gland	1	T60031014	
27.	Screws	4	SP-4*16	M4*16
28.	Bearings	1	T60031033	627ZZ
29.	Screws	1	T60031674	M4*4
30.	Bearings	2	T60031034	628ZZ
31.	Spring pin	1	PR-2.5*16	
32.	Butterfly bolt	3	SS-5*5	
33.	Side wheel bracket	1	T60031675	
34.	Side wheel axle (B)	2	T60031613	
35.	Spring	1	T60031676	

No	Designation	Quantity	Stock No.	Remark
36.	Side wheel (group)	2	T60031611	
37.	Screws	2	SP-5*14	
38.	Inner hex bolts	1	BC-5*30	
39.	Washer	1	WF-5	
40.	Control box	1	T89000192	
41.	Operation panel	1	T61000566	
42.	Handle	1	T61000601	
43.	Metal socket	1	6N100062	220V,4P
44.				
45.				
46.				
47.				
48.				
49.				
50.	Motor	1	T89002359	
51.				
52.				
53.				
54.				
55.				
56.				
57.				
58.				
59.	Rubber plug	1	T30002899	STD
	Rubber plug	1	T60030280	KAR
62.	Power cord (group)	1	T95D01139	STD
	Power cord (group)	1	T95D01893	KAR
64.	Motor flange	1	T89002359	
	Heat-proof plate pad	1	T89000612	

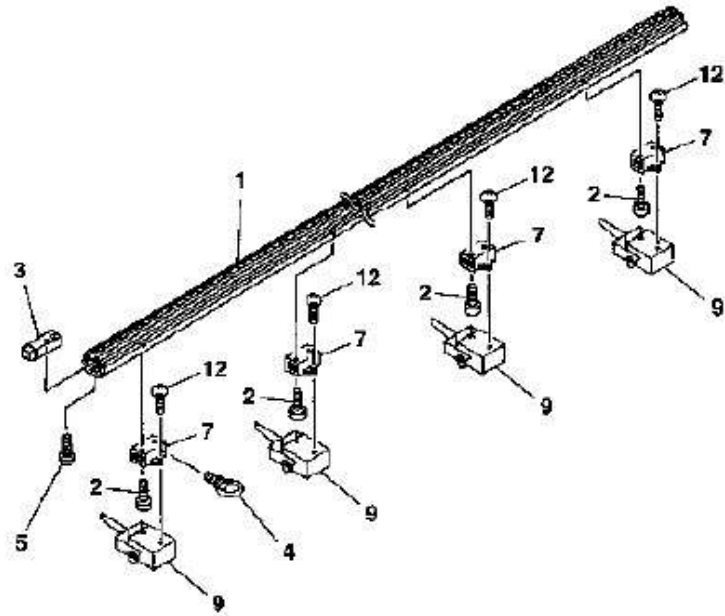
8.2 Torch Holder



56	Slide unit assembly	1	T61000645	
56-1	Slide base	2	T61000595	
56-2	Nut	1	T61000596	
56-3	Shaft	4	T61000598	
56-4	Screw shaft	1	T61000600	
56-5	Screw shaft(left)	1	T61000659	
56-6	Handle	2	T61000061	
56-7	Stop ring	4	T6B520080	STW-8
56-8	DU bush with brim	2	T64000016	MB0808-15FDU
56-9	DU washer	2	T6D520006	WC06DUN
56-10	Spring pin	2	T6B022518	PR-2.5 × 18
57	Torch holder ass'y(for straight torch)	1	T61001643	
57	Torch holder ass'y(for curved torch)		T61000676	

8.3 Track

8.3.1 Linear Guide Track



8.4. Parts of the Track

No.	Designation	Quantity	Stock No.	Remarks
1	Linear Track	1	T60031648	Only applied to guide tracks.
2	Screws	8	SP-5×14	M5×4 with SW
3	Linkage Block	1	T60031694	
4	Ring Bolts	2	60031654	
5	Screws	2	SP-6×20	M6×20
7	Magnet Bracket(A)	4	60031657	
8	Magnet Bracket(B)	1	60031658	Only applied to 2D,3D
9	Magnet	4	60031682	120kg, only applied to 1D
	Magnet	5	60031682	120kg 2D,3D
10	Linkage Pin	1	60031695	only applied to 2D,3D
11	Hex Nuts	10	NH-5	only applied to 2D,3D
12	Screw	10	SP-5×14	M5×14
13	Linkage Plates	1	60031659	only applied to 2D,3D
14	Screw Nut	1	NB-6	M6