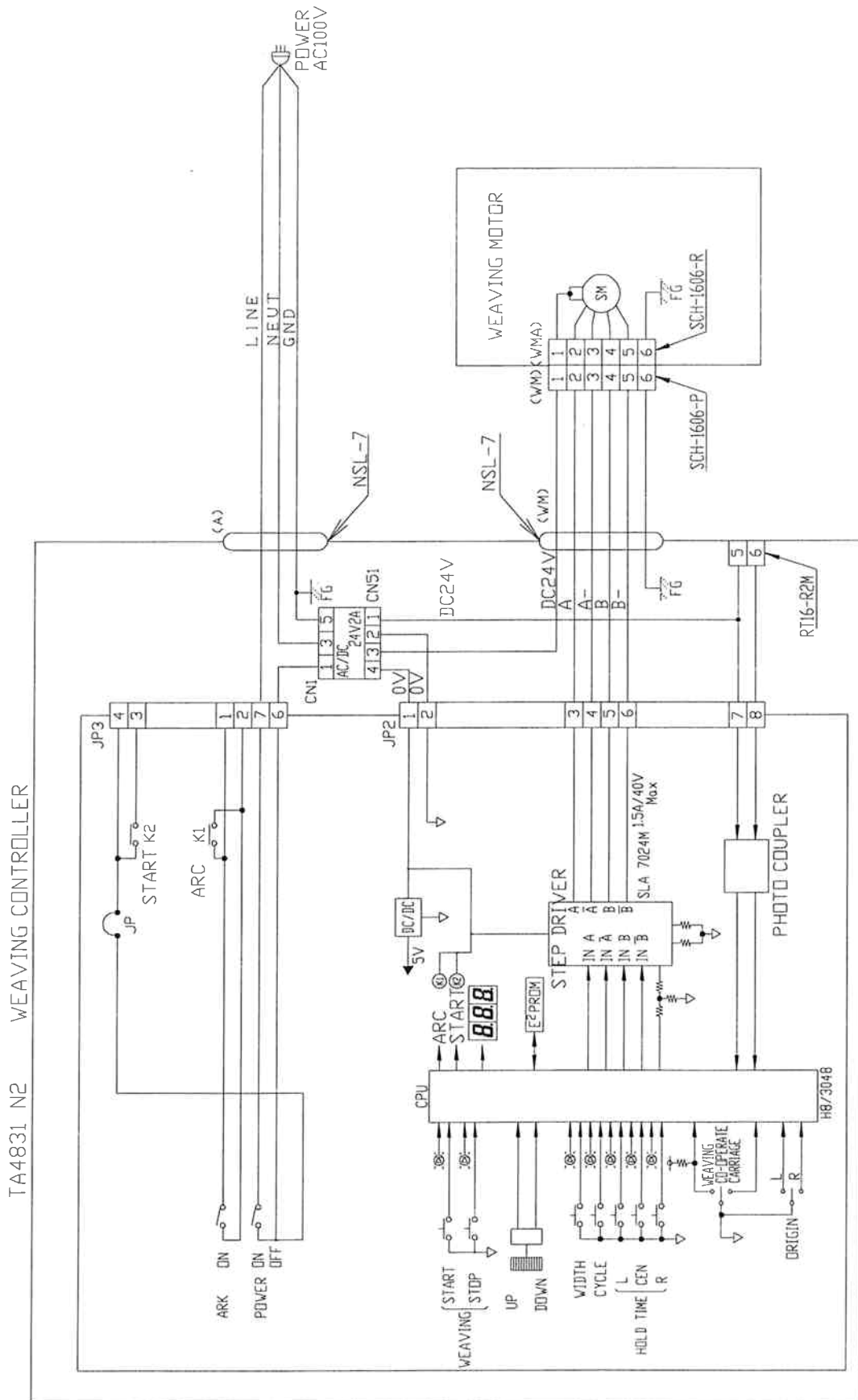
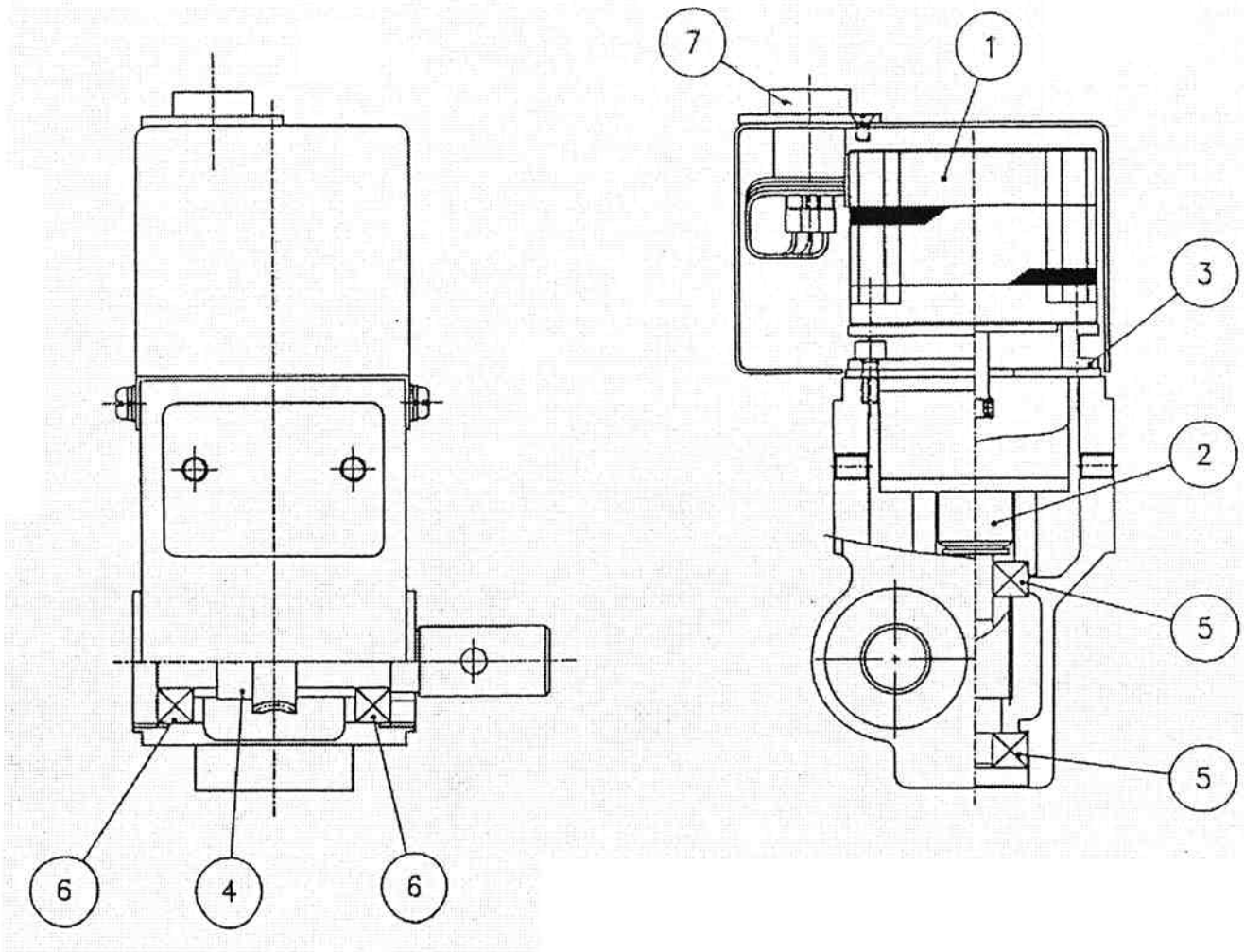


11 Wiring diagram



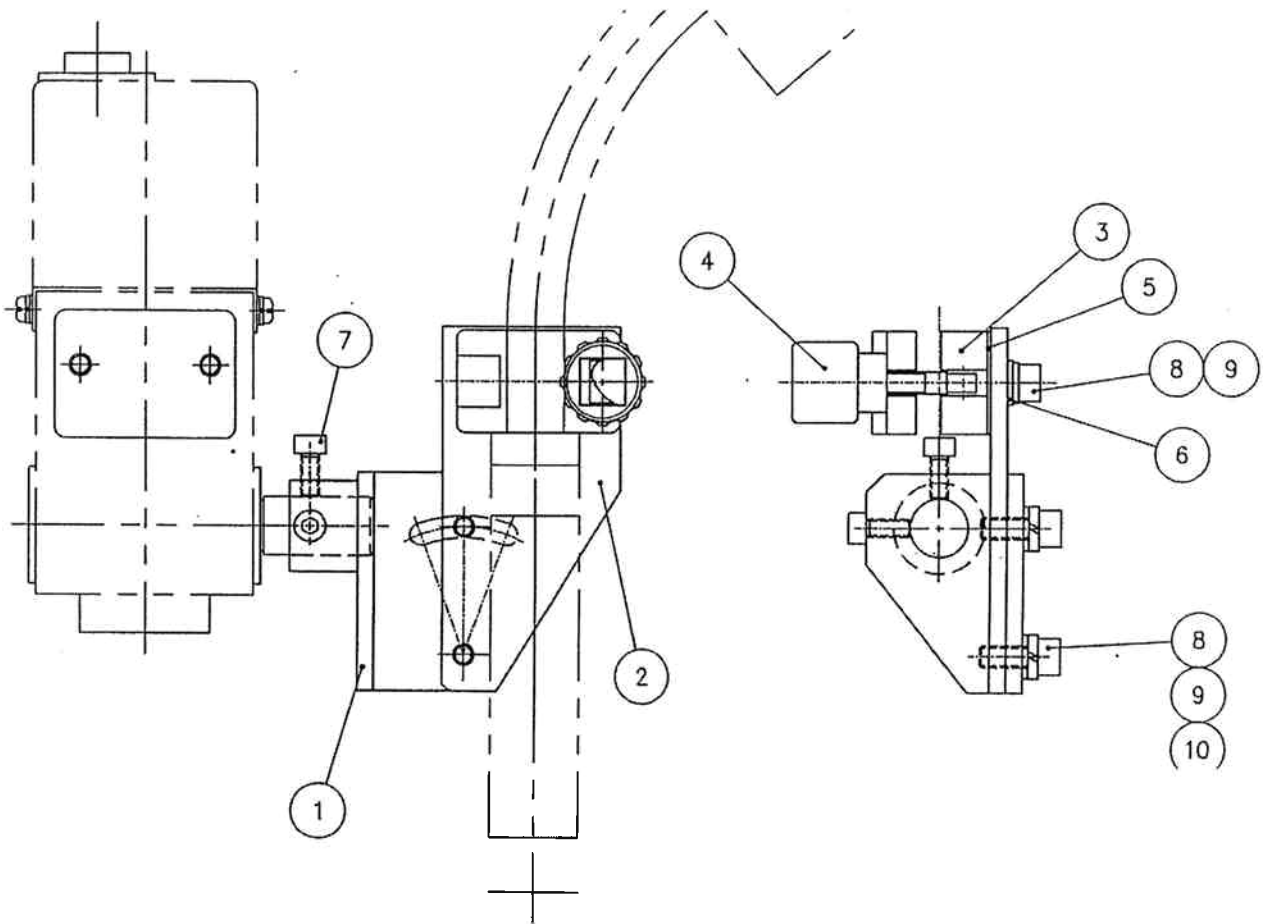
12 Parts list

12.1 Weaving main unit



Item No.	Part name	Q'ty	Stock No.	Remarks
1	Motor (assembly)	1set	60039810	With pinion
2	Reduction gear (assembly)	1set	60039073	With worm gearB
	Reduction gear	1	60038942	IG-43(1/24)
	Worm gear(B)	1	60039063	
3	Rubber damper	1	60039070	SPM-47-G2
4	Worm wheel	1	60039067	
5	Bearing	2	60031034	628ZZ
6	Bearing	2	6A036001	6001ZZ
7	Receptacle	1	6N020004	RT16-R5M

12.2 Holder, etc.



Item No.	Part name	Q'ty	Stock No.	Remarks
1	Rotary table	1	60039807	
2	Holder support	1	60039808	
3	Holder(assembly)	1	60038161	
4	Clamp knob	1	60038166	
5	Insulating board	1	60038148	
6	Insulating collar	2	60038149	
7	Bolt with hexagon Socket	2	6C690512	M5 × 12(stainless)
8	Bolt with hexagon Socket	4	6C690615	M5 × 15(stainless)
9	Flat washer	4	6D500060	M6
10	Spring washer	2	6D510060	M6

12.3 Weaving controller

Item No.	Part name	Q'ty	Stock No.	Remarks
1	Weaving controller (assembly)	1set	60039801	