

# TORCH SERIES

## Machine Torches and Accessories



### Machine Torches and Accessories

The line of Koike products includes the cost efficient Koike 300L, 500L, and EPOCH 300 series tips and torches. They are ideal for heavy duty, high quality cutting in industries such as steel service centers, shipyards, salvage, construction, and other general purposes uses. The innovative post-mixing tip design of the EPOCH 300 assures safety by eliminating flashback. All machine torches and accessories are built to the highest standards, then stringently tested to ensure safe, long operation in order to produce precision cuts while being easy to operate.

### Features & Benefits

- **Many Machine Torch Models Available**  
All produce high quality cuts and are easy to use.
- **Tip Mixing System**  
The Three Land Tip Mixing system assures greater safety and reduces the risk of flashback and backfire.
- **Cutting Tips Save Gas**  
Koike D7 high speed divergent cutting tips are specifically designed to reduce gas use and increase cutting speed because they apply more preheat oxygen to the plate.
- **Twin Tip Holder**  
The Twin Tip Holder for all Koike 100 Series torches allows converting a single oxy fuel cutting torch into dual cutting torches. The Twin Tip Holder can be used to cut narrow width flat bar with a single torch, high accuracy is possible by reducing thermal distortions, and it is a common practice to employ multiple torches with dual tips to improve efficiency on smaller parts.
- **Torch Bevel Attachment**  
The torch bevel attachment can be added to current Koike tips and used to do multiple axis bevels by simply turning the tip in the desired direction of cut. An angular gauge is also stamped into the unit for ease of use and accuracy.



KOIKE ARONSON, INC. / RANSOME

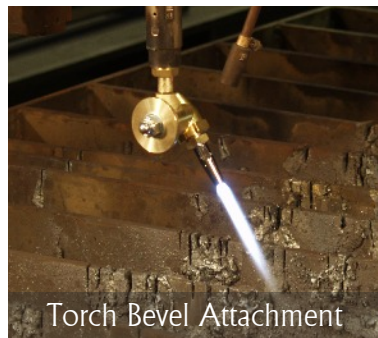
SPECIFICATIONS	300L	500L	Twin Tip Holder	Torch Bevel Attachment	EPOCH 300
Torch Length	16.5 in (422mm)	24.5 in (622mm)	5.5 in (148mm)	3 in (77mm)	13 in (300mm)
Cutting Thickness	1/8 - 10 in (5-300mm)	1/8 - 12 in (5-300mm)	1/8 - 6 in (5-152mm)	1/8 - 12 in (5-300 mm)	4-12 in (100-300mm)
Cutting Tip Type Fuel Gas Use	All 100 Series Tips Most Fuel Gases	All 100 Series Tips Most Fuel Gases	All 100 Series Tips Most Fuel Gases	All 100 Series Tips Most Fuel Gases	Propane Only
Hose Connection**	B type (9/16-18 UNF) RHT/LHT	B type (9/16-18 UNF) RHT/LHT	Screw in Adapter	Screw in Adapter	B type (9/16-18 UNF) RHT/LHT
Part Number	ZA3251018 (Torch Holder, Part#ZS61108)	ZA3251006 (Torch Holder, Part#ZS61108)	ZA3312001	3311001	ZA4052024

Please see Koike Cutting Tip brochure for information on cutting tip. Use Cutting Speeds, Operating Pressures, and Gas Flow Rates.

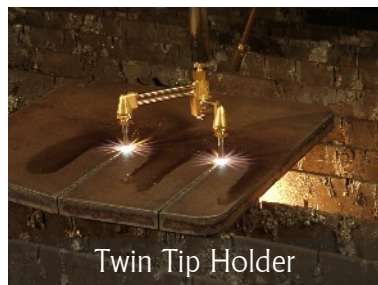
\*\*Flashback arrestors are highly recommended on gas supply side for additional safety.



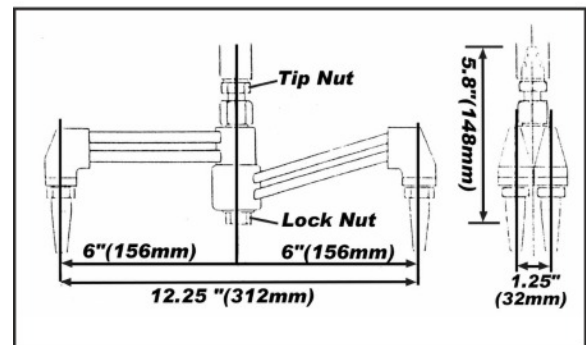
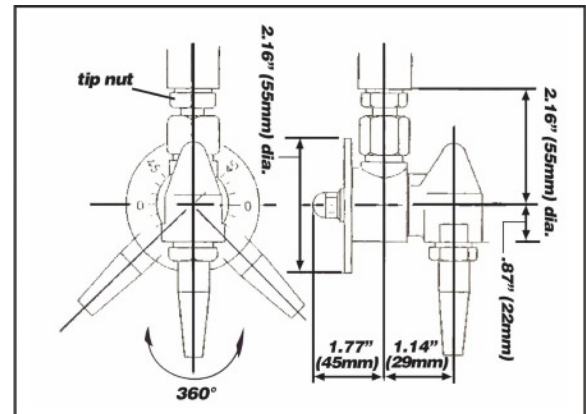
300L & 500L  
Machine Torches



Torch Bevel Attachment



Twin Tip Holder



Koike Techno Center Products

**Koike Aronson Inc.**  
P.O. Box 307, Arcade, New York 14009  
Phone (585) 492-2400 Fax (585) 457-3517  
[www.koike.com](http://www.koike.com)



TORCH SERIES 10/17 KENG