

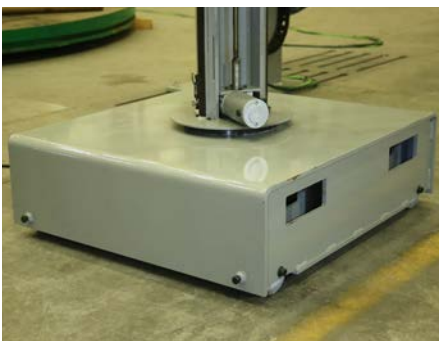


## The Cricket-I delivers unprecedented value for all shop sizes.

The Cricket-I is Koike Aronson's latest cost-efficient, American made welding manipulator. The Cricket-I offers fabricators a variety of premium features with a small enough footprint to fit into any size shop. Ruggedly built, the Cricket-I provides the same reliability and robust performance found with all Koike machines. The Cricket-I provides a stable and repeatable platform for semi-automatic welding processes and is built with a 150 pound capacity with options.

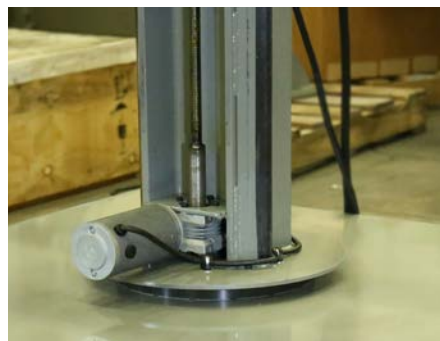


**120V 20 Amp Receptacle Required**  
NEMA 12 Electricals including a single switched duplex receptacle for options. 120 V input power; 6 foot 3 prong 20 Amp power cable provided.



### Manual Travel Car

Includes fork-truck pockets and V-wheels to run on floor or track section.



### Manual Mast Rotation

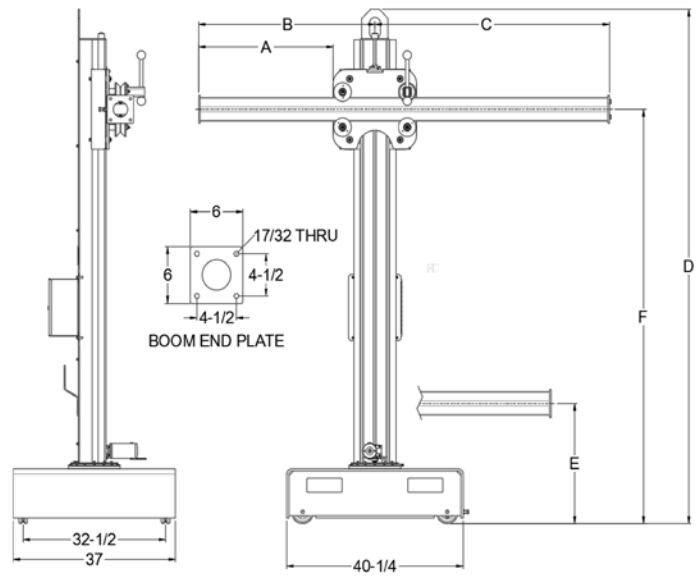
Easily rotate between multiple stations.



### Powered Vertical Lift

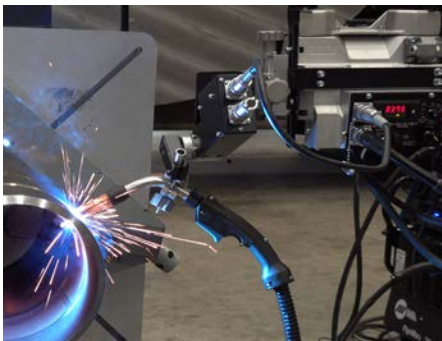
Ball screw driven lift for smooth operation, 20 IPM constant speed lift with pendant included.

	<b>Cricket-I</b>
Reach Travel	Manual
Dim A: Standard Reach Travel	72 in
Dim B: Min. reach distance from CL of Mast	10 in
Dim C: Max. reach distance from CL of Mast	82 in
Dim D: Height overall (HOA) without track	109-1/2 in
Lift Speed	20 lpm
Lift Motor HP	1/8 hp
Dim E: Min. lift from floor to CL of boom	22-3/4 in
Dim F: Max. lift from floor to CL of boom	94-3/4 in
Weight Capacity (either end or split)	150 pounds
Boom end plate	6 in x 6 in
Car Dimensions	40-1/4 in x 37 in
Rail gauge (Dual V)	32-1/2 in
Machine Voltage	115/1/60 @ 20 AMP



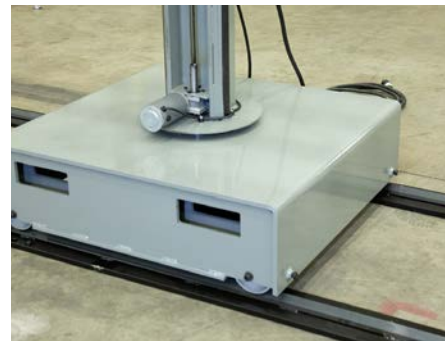
Specifications are subject to change without notice

## Cricket-I OPTIONAL EQUIPMENT



### Pipe Welding Package

Includes Wel-Handy Next  
 Programmable WU-3 Weaver and control  
 3 in x 3 in manual cross slide  
 Mounting brackets for pendants and welding controls



### Rail Sections

32-1/2 in low profile rail gauge  
 Dual V, inverted angle iron  
 Available in 10 ft lengths



**Simply better built – for over 100 years.** Our strictly controlled manufacturing and production processes ensure we have the highest-quality machines with the most reliable performance. We collaborate with our customers to produce the right machine for their needs within a range of budgets.

Visit [Koike.com/home](http://Koike.com/home) for more information or contact your local distributor.



**SIMPLY BETTER BUILT.**

[WWW.KOIKE.COM](http://WWW.KOIKE.COM)



635 W Main St.  
 Arcade, NY 14009  
 Ph: 585-492-2400